

FINAL
Contractor's Closeout Report
for
Sites 6 and 82 Source Removal
Operable Unit No. 2
MCB Camp Lejeune
Jacksonville, North Carolina

VOLUME I OF IX

Prepared for:

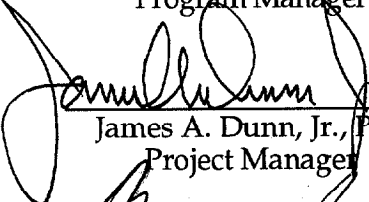
DEPARTMENT OF THE NAVY
Contract No. N47408-92-D-3042
Delivery Order 0032

Prepared by

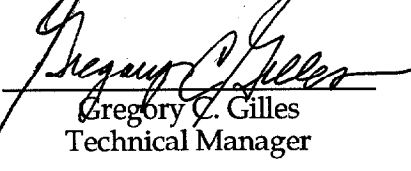
OHM Remediation Services Corp.
Norcross, Georgia


Steve Tsai

Program Manager


James A. Dunn, Jr., P.E.

Project Manager


Gregory C. Gilles

Technical Manager

March 1997

OHM Project No. 15226

TABLE OF CONTENTS

1.0	INTRODUCTION	1-1
1.1	Site Background	1-1
1.2	Summary of Remedial Investigation	1-2
1.3	Summary of Action	1-3
2.0	PRECONSTRUCTION SUBMITTALS, MOBILIZATION AND SETUP	2-1
2.1	Preconstruction Submittals	2-1
2.2	Mobilization and Site Preparation	2-1
3.0	EXCAVATION SEGREGATION AND STAGING OF BURIED WASTES ...	3-1
3.1	Excavations	3-1
3.2	Waste Segregation and Staging	3-2
4.0	ABOVEGROUND STORAGE TANK CLOSURE	4-1
5.0	SAMPLING AND ANALYSIS	5-1
5.1	Summary of Sampling Activities	5-1
5.2	Confirmation Sampling and Analysis	5-2
5.3	Characterization Sampling and Analysis	5-3
5.4	Drum Characterization	5-3
5.5	Soil Characterization	5-3
5.6	Miscellaneous Samples	5-4
6.0	SITE RESTORATION AND WASTE MANAGEMENT	6-1
6.1	Backfill	6-1
6.2	Transportation and Disposal	6-1
6.3	Decommissioning and Demobilization	6-4
7.0	FIELD CHANGES AND CONTRACT MODIFICATIONS	7-1
7.1	Field Changes	7-1
7.2	Contract Modifications	7-2
8.0	FINAL HEALTH AND SAFETY REPORT	8-1
8.1	Mobilization and Site Preparations	8-1
8.2	On-site Operations	8-1
8.3	Air Monitoring	8-2
8.4	Training Requirements	8-2
8.5	Accidents and/or Injuries	8-2
9.0	SUMMARY OF RECORD DOCUMENTS	9-1

TABLE OF CONTENTS - CONTINUED

TABLES

Table 5.1	Sampling Categories
Table 5.2	Waste Sample Location and Analysis Summary
Table 5.3	Confirmation Samples, Location and Analysis Summary
Table 5.4	Confirmation Analysis Summary
Table 5.5	Duplicate Confirmation Analysis Summary
Table 5.6	Waste Characterization Analysis Summary
Table 5.7	Wastewater Analysis Summary
Table 6.1	Summary of On-site Recycle, Treatment or Disposal
Table 6.2	Summary of Off-site Waste Recycle or Disposal

FIGURES

(located in Appendix A)

Figure 1.1	Vicinity and Location Map
Figure 2.1	Site Map - Location of Sites 6 and 82 Trenches
Figure 3.1	Excavations and Confirmation Sampling Points

APPENDICES

Appendix A	As-built Drawings
Appendix B	Photographic Documentation
Appendix C	Waste Manifests
Appendix D	Disposal Certification
Appendix E	Vehicle Decontamination Certification
Appendix F	QC Analytical Report
Appendix G	Chain-of-Custody
Appendix H	QC Documentation
Appendix I	Analytical Data (chronological)

1.0 INTRODUCTION

This Contractor's Closeout Report describes drum removal and associated activities conducted in Operable Unit (OU) No. 2 at Marine Corps Base (MCB) Camp Lejeune, North Carolina. This closure report is prepared by OHM Remediation Services Corp. (OHM) in accordance with the OHM Revised Final Plans and Specifications dated March 31, 1995, Section 01010, Paragraph 1.3.1.10. It includes a description of the following activities:

- 1) Preparation of Preconstruction Submittals.
- 2) Mobilization and Site Setup
- 3) Trench Excavation, Drum Removal and Staging
- 4) Closure of Above Ground Storage Tanks (ASTs)
- 5) Sampling and Analysis of Excavated Materials
- 6) Waste Profiling
- 7) Transportation and Disposal of soil and Debris
- 8) Demobilization
- 9) Final Health and Safety Report
- 10) Summary of Record Documents

These activities were conducted under Naval Facilities Engineering Service Command (NFESC) Contract No. N47408-92-D-3042, Delivery Order No. 0032.

1.1 SITE BACKGROUND

Camp Lejeune is a training base for the U.S. Marine Corps. It is located in Onslow County, North Carolina. The nearest town is Jacksonville, North Carolina, located just north of the base. Camp Lejeune covers approximately 236 square miles, including 14 miles of coast line. It is bounded to the southeast by the Atlantic Ocean, to the northwest by State Route 24, and to the west by U.S. Route 17. The remedial action area, OU No. 2, is one of 13 operable units within Camp Lejeune. OU No. 2 is located approximately 2 miles east of the New River and 2 miles south of State Route 24. It is bordered to the north by Wallace Creek, to the west by Holcomb Boulevard, to the east by Piney Green Road, and to the south by Sneads Ferry Road. OU No. 2 covers an area of approximately 210 acres and includes three sites. From north to south these are Site 82, Site 6 and Site 9. Figure 1 in Appendix A shows the location of OU No. 2, sites 6 and 82.

Two main areas were excavated as part of the work described in this report. The first was located just south of the southwestern corner of Lot 203 in Site 6. It is referred to in this report as the Southern Trenches. Also associated with Site 6 were two additional trenches referred to as the Battery Trenches. Excavation of these trenches were not included in the

original scope of work for Site 6 but were added upon their discovery during the southern excavations. The other main area referred to as the northern trench was located in Site 82 just north of Site 6 boundary. Figure 2 shows the relative location of the trenches at Sites 6 and 82.

Site 6 had a history of various uses. From as early as the 1940s to the late 1980s the site was used for the storage and disposal waste and supplies. The northern portion of Site 6 was occupied by a fenced area designated as Open Storage Area Lot 203. Pesticides were reported to have been stored in a trailer on Lot 203. Former employees from Lot 203 reported disposal of various chemical including PCBs, cleaning solvents, electrolytes from used batteries, and waste oils. The use of Lot 203 and Site 6 as active storage areas had been discontinued prior to remediation.

Site 82, also known as the Piney Green Road volatile organic compound (VOC) Site, was predominantly covered by woodlands. Prior to remediation, it was randomly littered with debris including communication wire, spent ammunition casings, and drums. No controlled disposal operations were documented for the site, so the quantity of VOCs which may have been released and the location(s) of these releases are unknown.

Based on a review of historical aerial photographs, it appeared that the fenced boundaries of Lot 203 changed since it was in operation. As of 1994, the fenced portion of Lot 203 covered approximately 41 acres. The southern and northern trenches were located just outside the 1994 boundaries of Lot 203 at the southwestern and northern boundaries, respectively.

1.2 SUMMARY OF REMEDIAL INVESTIGATION

Camp Lejeune was placed on the Comprehensive Environmental Response, Compensation and Liability Act (CERCLA) National Priority List (NPL) that became effective on October 4, 1989 (54 Federal Register 41015, October 4, 1989). Region 4 of the United States Environmental Protection Agency (USEPA), the North Carolina Department of Environment, Health and Natural Resources (NC DEHNR) and the United States Department of the Navy (DoN) then entered into a Federal Facilities Agreement (FFA) for the base. The primary purpose of the FFA was twofold. First, it was to ensure that environmental impacts associated with past and present activities at Camp Lejeune were thoroughly investigated. Second, where necessary appropriate alternatives consistent with CERCLA and the Resource Conservation and Recovery Act (RCRA) Corrective Action would be developed and implemented to protect the public health and the environment.

Following a CERCLA Remedial Investigation (RI) of OU No. 2, DoN Atlantic Division, Naval Facilities Engineering Command contracted Baker Environmental, Inc. (Baker) to

develop a remedial design for removal of the drums and related activities. The remedial design efforts reflected the remedy which was selected and documented in the final Record of Decision (ROD) for the site. On August 11, 1993, Baker delivered its report entitled Final RAC Requirements Package Removal of Drums at Site 6, Marine Corps Base, Camp Lejeune, North Carolina to LANTDIV. The report described the selected remedy for Sites 6 and 82 for the Scope of Work described in this report.

The remedies included:

- Excavation of the buried drums and associated contaminated soil, staging of the drums, ASTs and miscellaneous debris and soil, characterization of the drum and AST contents where present, bulking of the drum and AST contents for disposal, decontamination of the drums, ASTs and debris, characterization of all material requiring disposal, and transportation and disposal of the drums, drum contents, miscellaneous debris, soil and water generated during site activities.
- OHM's scope of work as the remedial contractor included implementation of this remedial design.

1.3 SUMMARY OF ACTION

Upon receipt of the Notice-to-Proceed from LANTDIV, OHM commenced preparatory activities for the project such as plan preparation and review for all site activities. The work was categorized into definable phases for economical and efficient execution. Listed below are the major phases of the site work that was performed to fulfill the project specifications.

- Phase 1 – Preparation of preconstruction submittals (including a site visit to review existing conditions) and work plans.
- Phase 2 – Site preparation and mobilization; establish command center, decontamination facilities, staging areas, access, clearing and grubbing, and utility services.
- Phase 3 – Trench excavation; removal and staging of buried drums, miscellaneous debris and soil; collection of drums, ASTs and miscellaneous debris on the surface.
- Phase 4 – Confirmation sampling of the excavations and backfill of the excavations.
- Phase 5 – Characterization of the materials for disposal.

- Phase 6 – Decontamination of the drums, ASTs and miscellaneous debris as necessary for disposal; transportation and disposal of the drums, drum contents, ASTs, miscellaneous debris, soil, and process water.
- Phase 7 – Demolition of the staging area and disposal of the staging area debris; demobilization of all equipment and personnel from the site.

The following sections provide more detail on each phase of work.

2.0 PRECONSTRUCTION SUBMITTALS, MOBILIZATION AND SITE SETUP

2.1 PRECONSTRUCTION SUBMITTALS

Following the initial site visit in July, 1993 and receipt of project specifications in August, OHM submitted a Cost Proposal to perform work at Site 6 in late September, 1993. Upon receipt of Notice To Proceed, OHM prepared and submitted draft plans for Delivery Order No. 0032. These included a Work Plan, Health and Safety Plan, Contractors Quality Control (CQC) Addenda, a Field Sampling Plan, and Certification of Testing Laboratory Qualifications. The plans provided a description of the project objectives; schedule; sampling and analysis requirements; site work and excavation procedures; staging area construction requirements; decontamination procedures; and storage, transportation and disposal requirements which would be implemented to fulfill the requirements of the project specifications. A Status Log for all submittals is included in Section 9.

2.2 MOBILIZATION AND SITE PREPARATION

In January, 1994, OHM mobilized to the site to commence work. Activities included:

- The delivery of all equipment and personnel to the project site,
- Set up of the project trailer for the on-site command center,
- Construction and/or upgrading of access roadways,
- Construction of the staging areas, and
- All necessary measures for site drainage and erosion control.

OHM mobilized personnel and equipment to a command post at Storage Lot 203. Support equipment included an office trailer and decontamination trailer. Site security and work zones were established based on the Health and Safety Plan. Access roads were constructed for safe and easy vehicle access to the trench locations.

Prior to excavation of buried waste and debris from the trench areas, waste staging and decontamination areas were constructed as part of site setup. Two main areas were constructed to temporarily store excavated materials for segregation, identification, overpacking, decontamination and load out for transportation and disposal, one in Lot 203 near the southern trenches, and a smaller area near the northern excavation. The main area as shown on Figure 2 was located in Lot 203. A secondary area was established for temporarily staging soils and segregating debris at Site 82 during the northern trench excavation.

The main staging area approximately 150 x 100 was cleared and grubbed in Lot 203. Various cells were constructed including a soil staging cell, debris staging cell, temporary rinse area, processing area, and a decontamination pad. A synthetic liner was placed on the ground to prevent cross contamination of underlying soils. A perimeter ditch was dug around the staging area to anchor the liner. The ditch was subsequently filled with clean soils and the area bermed with an 18-inch high berm for secondary containment. Project photographs in Appendix B show the construction of the lined processing and staging areas. A second stockpile area was utilized near the northern excavation. It was also lined and covered with visqueen.

In addition to the soil staging area, a lined decontamination facility and drum staging area were constructed. The drum storage area was used to hold overpack drums containing waste and hazardous debris awaiting characterization or disposal. The decon pad was used as a wash down area for equipment and to triple rinse metallic debris, drum carcasses, and other non-hazardous inorganic debris which was subsequently managed as solid waste. Additionally, a 12,000 gallon holding pool was erected and utilized for collecting decontamination rinse waters prior to analysis, transportation and disposal.

3.0 EXCAVATION, SEGREGATION, AND STAGING OF BURIED WASTES

Excavation of buried wastes began on January 26, 1994. Excavations took place in three areas, which were referred to as the Southern Excavation, the Northern Excavation, and the Battery Area. Each area was staked by Baker according to the anticipated limits of excavation per the RAC Requirements Package. Figure 2 in Appendix A indicates the locations of the excavations.

3.1 EXCAVATIONS

The Southern Area trenches of Site 6 were the first location where excavations occurred. Two trenches were excavated with a tracked excavator. These were referred to as the east and west excavations. Materials encountered included drums, small containers (5 gallons or less), batteries, shell casings, communications wire, wood, and miscellaneous debris. These were removed along with any soil which had visual evidence of contamination and initially staged adjacent to the excavations. The materials and soil were inspected for evidence of contamination and monitored using a photoionization detector (PID) to distinguish potentially hazardous from non hazardous soils. The materials and soil were further segregated based on the concentration of organic vapors detected. The small containers were placed in overpack drums. Subsequently, all hazardous materials were transported to the staging area in Lot 203. Nonhazardous debris, including communication wire, wood, and casings were stockpiled adjacent to the excavations.

A total of 678 cubic yards of soil and debris were excavated from the east excavation, and a total of 252 cubic yards were excavated from the west excavation. Soil samples from the sides and base of the excavations were collected and field screened to confirm that all contaminated soil had been removed. Once PID readings were below the action limit of 5 ppm, final confirmation samples were collected and shipped to an off site laboratory for analysis.

The excavation of the Northern Area in Site 82 began on February 8, 1994. One continuous trench was excavated. Over 1,300 cubic yards of material were excavated from the Northern Area trench.

Similar materials such as drums, inorganic debris and communication wire were encountered and procedures for testing were implemented as in the Southern Area with two exceptions. The soil in the area adjacent to the northern trench was contaminated by chlorinated hydrocarbons. This trench was located in Area of Concern (AOC) 1 which was scheduled to be remediated by in-situ soil vapor extraction as part of a future delivery

order. OHM performed soil remediation of AOC-1 Area A under RAC Contract N62470-93-D-3032, Delivery Order 15 utilizing soil vapor extraction methods. A draft final report was issued in September 1996. Therefore, the walls and bottom of the Northern Area trench were not sampled for confirmation testing. Second, the northern trench contained numerous 2-gallon containers of what appeared to be heavy grease or petroleum product which was not observed in the southern trenches.

The Battery Area was the final area to be remediated. Two trenches were excavated beginning in February, 1994. These were referred to as the east and west trenches. The two parallel trenches were excavated to approximately 10 feet wide, 5 feet deep, and 105 to 125 feet in length. Approximately 425 cubic yards of material was removed, of which batteries comprised one-third of the total. Several truckloads of batteries were removed totalling over 100 tons.

3.2 WASTE SEGREGATION AND STAGING

As the trenches were excavated, inorganic non-hazardous debris including communication wire, scrap metal, or other materials were visually inspected, sifted through and physically segregated by the operator at the time of excavation. Soil was separated from debris with the use of a custom designed air bucket. Empty 55-gallon drums, empty 5-gallon pails, or other containers which previously may have contained hazardous materials were taken to the decon pad for triple rinsing. Pressure washing was performed using a low volume, moderate pressure portable sprayer to clean the debris. Following triple rinsing, the containers were crushed and subsequently managed at the DRMO as scrap metal. With the exception of a large number of 2-gallon grease containers found in the northern excavation, metal containers, glass vials, porcelain jugs etc. containing unknown chemicals, greases, oils, and other potentially hazardous materials were screened for compatibility, overpacked into steel drums, marked, and transported to the Lot 203 staging area for characterization and subsequent disposal. The 2-gallon grease containers were bulked in two 20-cubic yard roll off containers. Soils were screened and segregated based on readings with a hand held photoionization detector (PID) noting the presence or absence of volatile contaminants. Nonhazardous debris was temporarily stockpiled adjacent to each respective excavation.

4.0 ABOVEGROUND STORAGE TANKS CLOSURE

The scope of services for the five aboveground storage tanks located near the railroad tracks included emptying, rinsing, cutting, and managing the ASTs as scrap metal. Pumpable product if present, was removed from each of the 250-gallon capacity tanks by Noble Oil using a vacuum truck. Approximately 740 gallons of diesel product and water was managed off-site in Sanford, North Carolina, as a recyclable material. Following the removal of pumpable product, the atmosphere inside each of the tanks was tested for the presence of flammable vapors and oxygen content. Before any of the tanks could be moved or dismantled, the tank's atmosphere was checked to ensure that potentially flammable vapors were below 10% of the lower explosion limit or less than 8% oxygen. No carbon dioxide or nitrogen was necessary to inert the tanks.

After the tanks were determined to be safe, the tanks were relocated to the lined decontamination area. The tanks were cut apart using hand held hydraulic nibblers into manageable pieces. They were then pressure washed and decontaminated of any remaining residues and loaded onto dump trailers for transportation to the DRMO for subsequent management as scrap steel. Rinsate from the tank decontamination was collected and temporarily stored in the above-ground 12,000-gallon holding pool on-site. Sampling and analysis activities are provided in Section 5.0.

5.0 SAMPLING AND ANALYSIS

5.1 SUMMARY OF SAMPLING ACTIVITIES

Analytical testing was performed for a variety of purposes during the course of the project. First, confirmation samples of soil from excavations were collected and analyzed to determine if all soils requiring remediation had been removed. Second, bulk samples from the combined contents of more than one drum were tested for compatibility. Third, waste characterization samples were taken from soil, drum contents, miscellaneous debris and water to determine the appropriate methods of disposal. Finally, various QA samples were collected to ensure that sufficient quality control had been attained. All samples reported in Tables 5.2 through 5.7 were analyzed off-site by Analytical Services Corp. (ASC) in Findlay, Ohio or IT Corp. Analytical Services in Knoxville, Tennessee, CKY Inc., or Ceimic Corp.

Because the analytical results often determined the course of the remaining work, a summary of the sampling categories and nomenclature is presented in Table 5.1. Details of the type and purpose of each type of sample are presented in the following sections. With few exceptions, the sample identification system was applied uniformly. Tables 5.2 and 5.3 were developed to provide a comprehensive summary of all samples, sample ID numbers, analysis performed, sample dates, and locations for the various sampling events conducted throughout the project.

<i>Sample ID Class</i>	<i>Type of Sample</i>	<i>Purpose of Sampling</i>	<i>Number of Samples</i>	<i>Dates of Sampling</i>
CLJ-CSS	Soil from excavation walls and floors	Confirmation that excavations are complete	51	2/4/94-3/3/94
CLJ-DWS	Solids from drums	Compatibility for bulking and disposal requirements	45	2/24/94-11/9/94
CLJ-DWW	Decon water	Disposal requirements	4	2/24/94-1/25/95
CLJ-DFE	Fire extinguisher drum	Disposal requirements	1	3/3/94
CLJ-DG	Composite of grease waste stream	Disposal requirements	1	2/24/94
CLJ-DP	Composite of used PPE	Disposal requirements	2	2/25/94
CLJ-DS	Soil from stockpiles and some drum samples	Disposal requirements	21	2/4/94-3/4/94
CLJ-DB	Battery pile composite	Disposal requirements	1	2/25/94
CLJ-DD	Composite of communication wire	Disposal requirements	1	12/18/94

Table 5.1 - Sampling Categories				
Sample ID Class	Type of Sample	Purpose of Sampling	Number of Samples	Dates of Sampling
CLJ-WCS	Soils from trenches and stockpiles for pesticides	Disposal requirements	10	8/24/94-8/26/94
C6527-6529	Composites of various CLJ-DS samples	Disposal requirements	3	2/22/94
C6617-6627	Bulked samples of various drums	Disposal requirements	6	6/24/94

5.2 CONFIRMATION SAMPLES FROM EXCAVATIONS

During the removal of the buried drums and miscellaneous debris, soil which was stained or had other indications of contamination was also excavated. Vertical excavation ceased when the water table was encountered. Lateral excavation continued until field results indicated volatile organic compounds were absent or present only in negligible concentrations.

Field testing was performed as follows. The soil samples were collected on approximately 25 foot centers. An excavator bucket was used to obtain a bulk sample from the appropriate locations. The sample was initially tested with a photoionization detector (PID). If the PID reading was greater than 5 parts per million (ppm), the excavation would be extended an additional 2 feet into the tested surface. If the sample registered less than 5 ppm on the PID, headspace analysis would be performed. If the headspace analysis indicated less than 5 ppm, further excavation was stopped. Figure 3 in Appendix A indicates the approximate locations of the sampling points.

To ensure that all contaminated soil was removed, once these field observable limits were reached soil confirmation samples were collected from the walls and bottoms of the excavations using the same procedures. These samples were given an alphanumeric code which began with the prefix CLJ-CSS, followed by a unique 3 digit identifying number. Samples were sent off-site to Analytical Services Corporation laboratory in Findlay, Ohio or IT Corp. and analyzed for the parameters specified in the approved Sampling and Analysis Plan (SAP). The sample identification numbers, dates the samples were collected, and locations of collection are shown in the summary Table 5.3. Specific analytical results for these confirmation samples are shown in Table 5.4. Duplicate confirmation sample results are presented in Table 5.5. Copies of original analytical results are in Appendix I and copies of the Chains-of-Custody are in Appendix G. The amended SAP called for confirmation samples to be analyzed in accordance with NEESA Level C protocols. All other samples were subject to NEESA Level E reporting requirements. Laboratory quality control data can be found attached to the individual analytical reports included in

Appendix I. The data is provided along with the analytical reports in chronological order for reference.

5.3 CHARACTERIZATION SAMPLING AND ANALYSIS

Characterization sampling served two purposes. First, it identified the physical properties of the different media and the contaminants present in each so the appropriate method of disposal could be determined for each. Second, where large numbers of items having small quantities were involved (such as containers with volumes of less than 5 gallons) it identified potential incompatibility of waste types and determined which could safely be bulked together for more efficient handling and disposal. Table 5.2 provides a comprehensive summary of samples obtained and analyzed for Sites 6 and 82 trenches. The sample identification numbers, parameters, dates the samples were collected, and locations are shown. A summary of analytical results for each individual sample is shown in Table 5.6. Copies of original analytical results are in Appendix I and copies of the Chains-of-Custody are in Appendix G. Copies of the QC analytical data are also in Appendix I.

5.4 DRUM CHARACTERIZATION

A number of the drums which were excavated contained solid wastes while a few contained liquids. In order to identify these contents for disposal and ensure compatibility during bulking, samples were collected and analyzed in accordance with the SAP. The majority of the solid samples were given an alphanumeric code which began with the prefix CLJ-DWS, followed by a unique 3 digit identifying number. (Six drum samples collected on March 4, 1994 were mislabeled with the prefix CLJ-DS).

A total of 51 drum solids samples were analyzed. The majority of these samples (39) were collected on February 24, 1994. Six more were collected on March 4, 1994, 3 were collected on May 5, 1994, and 3 on November 9, 1994. In addition, 6 composite samples from multiple drums were collected on February 25, 1994, and a seventh composite sample was collected on July 18, 1994. The composite samples have identifying numbers beginning with the prefix C. Tables 5.2 and 5.6 include a summary of these samples and specific analytical results. Copies of the analytical data and chain-of-custodies are provided in Appendices G and I.

5.5 SOIL CHARACTERIZATION

The stockpiles of excavated soils were initially sampled during the trenching and removal of subsurface debris. These samples have the common alphanumeric prefix CLJ-DS. A total of 15 samples were collected: 3 on February 4, 1994; 9 on February 17, 1994, and 3 on

March 3, 1994. To date, copies of the analytical reports for the 3 samples collected on February 4 have not been located. In addition, 3 composite samples of soil were collected on February 17, 1994.

The samples were analyzed for a broad range of chemical contaminants. Both total constituent and TCLP analyses were performed using EPA Methods for conventional parameters, petroleum hydrocarbons, pesticides, PCBs, volatile and semi-volatile organics and heavy metals per the approved Sampling and Analysis Plan (SAP).

Following the discovery of chlorinated pesticides in some of the soils, additional samples were collected specifically for pesticide analysis. These have the common prefix CLJ-WCS. Ten of these samples were collected; 2 on August 24, 1994 and 8 on August 26, 1994. These sampling activities were conducted following amendment of the SAP. Soil characterization results can be found in Table 5.6. Complete laboratory analytical reports and chain-of-custodies are provided in Appendices G and I.

5.6 MISCELLANEOUS SAMPLES

Battery Pile

On February 25, 1994, one sample was collected which was labeled Battery Pile Disposal Composite and had the prefix CLJ-DB. It was analyzed for a broad spectrum of contaminants by TCLP.

Grease Waste Stream

On February 25, 1994, a composite sample was collected from the grease wastestream obtained from the northern excavation. It was identified with the prefix CLJ-DG. It was analyzed for total concentrations of a broad range of contaminants.

PPE Disposal

On February 25, 1994, 2 composite samples of used PPE were collected for analysis. They were identified with the prefix CLJ-DP. They were analyzed by TCLP for a broad range of contaminants.

Decon Rinse Water

During the site operations, significant volumes of rinsate were collected from decontamination of tanks, debris, and equipment. This rinsate was collected in the 12,000-gallon temporary pool near the staging area. As the pool became full, a composite sample was collected and analyzed to ascertain if the water could be disposed at the Camp Lejeune Publicly Owned (Wastewater) Treatment Plant (POTW). These samples were identified with the common prefix CLJ-DWW. A total of 4 samples were collected,

one each on February 24, 1994, March 1, 1994, March 15, 1994, and January 25, 1995. Wastewater samples and results are summarized in Table 5.7.

Fire Extinguisher Drum

On March 3, 1994, a sample was collected from drum number 148, which was referred to as the fire extinguisher drum. It was analyzed for a broad spectrum of contaminants. This sample was also part of the composite analyzed as C6622.

Communications Wire

On December 8, 1994, a sample of communications wire (considered nonhazardous debris) from the Northern and Southern trenches was collected. The sample identifier had the prefix CLJ-DD. This sample was subjected to analysis for a broad range of contaminants, both for total constituent analysis and TCLP.

TABLE 5.2
WASTE SAMPLE LOCATION & ANALYSIS SUMMARY
MCB CAMP LEJEUNE, SITES 6 & 82 TRENCHES
OHM Project No.: 15226

SAMPLE ID	ANALYSIS @	SAMPLE DATE	LOCATION / DESCRIPTION
C6527	CP, P, PCB, M, SV, V	2/17/94	Soil : CLJ-DS-02.03.04.05.06.07.07D.08.09
C6528	CP, TPH, H, P, M, SV, V (TCLP)	2/17/94	Soil : CLJ-DS-02.03
C6529	CP, TPH, H, P, M, SV, V (TCLP)	2/17/94	Soil : CLJ-DS-04.05
C6617	CP, P, PCB, M, SV, V	2/25/94	Bulked Sample of drums : 001-006, 008-011, 013, 014, 018, 019, 021-026, 032, 043, 063, 072, 074, 076-080, 149
C6618	CP, P, PCB, M, SV, V	2/25/94	Bulked Sample of drum 020
C6619	CP, P, PCB, M, SV, V	2/25/94	Bulked Sample of drums : 015, 147
C6620	CP, P, PCB, M, SV, V	2/25/94	Bulked Sample of drums : 012, 145, 146
C6621	CP, P, PCB, M, SV, V	2/25/94	Bulked Sample of drums : 007, 143, 150
C6622	CP, P, PCB, M, SV, V	2/25/94	Bulked Sample of drums : 017, 099, 148
C6627	P	7/18/94	Bulked Sample of drums : 18, 19, 21-26, 32, 43, 63, 72, 74, 76, 77, 78, 80
CLJ-DB-01	CP, TPH, H, P, M, SV, V (TCLP)	2/25/94	Battery Pile Disposal Composite
CLJ-DD-01	CP, TPH, H, P, PCB, M, SV, V	12/8/94	Wire from Northern and Southern Trenches
CLJ-DD-01	P, M, SV, V (TCLP)	12/8/94	Wire from Northern and Southern Trenches
CLJ-DFE-01	See C6622	3/3/94	Sample of Fire Extinguisher Drum # 148
CLJ-DG-01	CP, P, PCB, M, SV, V	2/25/94	Composite of grease waste stream
CLJ-DP-01	CP, TPH, H, P, M, SV, V (TCLP)	2/25/94	PPE Disposal Composite # 1
CLJ-DP-02	See CLJ-DP-01	2/25/94	PPE Disposal Composite # 2: (Extra material if DP-01 is insufficient)
CLJ-DS-01	CP, TPH, H, P, PCB, M, SV, V (TCLP)	2/4/94	South Excavation : Soil Stockpile - <i>No Report</i> : coc 137079 (ASC)
CLJ-DS-01A	CP, TPH, H, P, PCB, M, SV, V (TCLP)	2/4/94	South Excavation : Soil Stockpile (Split A) - <i>No Report</i> : coc 137079 (ASC)
CLJ-DS-01B	CP, TPH, H, P, PCB, M, SV, V (TCLP)	2/4/94	South Excavation : Soil Stockpile (Split B) - <i>No Report</i> : coc 137079 (ASC)
CLJ-DS-02	See C6527, C6528	2/17/94	North wall of Stockpile # 1 (North Excavation)
CLJ-DS-03	See C6527, C6528	2/17/94	South wall of Stockpile # 1 (North Excavation)
CLJ-DS-04	See C6527, C6529	2/17/94	North wall of Stockpile # 2 (North Excavation)
CLJ-DS-05	See C6527, C6529	2/17/94	South wall of Stockpile # 2 (North Excavation)
CLJ-DS-06	CP, TPH, H, P, M, SV, V (TCLP)	2/17/94	SE corner of Stockpile # 4 (South Excavation)
CLJ-DS-07	CP, TPH, H, P, M, SV, V (TCLP)	2/17/94	South wall of Stockpile # 3 (North Excavation)
CLJ-DS-07D	CP, TPH, H, P, M, SV, V (TCLP)	2/17/94	South wall of Stockpile # 3 (North Excavation) - Dup
CLJ-DS-08	CP, TPH, H, P, M, SV, V (TCLP)	2/17/94	North wall of Stockpile # 3 (North Excavation)
CLJ-DS-09	CP, TPH, H, P, M, SV, V (TCLP)	2/17/94	NW corner of Stockpile # 4 (South Excavation)
CLJ-DS-10	CP, TPH, H, P, M, SV, V (TCLP)	3/3/94	Battery Area - Soil Stockpile; Sample Point 1
CLJ-DS-11	CP, TPH, H, P, M, SV, V (TCLP)	3/3/94	Battery Area - Soil Stockpile; Sample Point 2
CLJ-DS-11D	CP, TPH, H, P, M, SV, V (TCLP)	3/3/94	Battery Area - Soil Stockpile; Sample Point 2 - Dup
CLJ-DS-143,01	See C6621	3/3/94	Drum Sample # 143
CLJ-DS-145	See C6620	3/4/94	Drum Sample # 145
CLJ-DS-146	See C6620	3/4/94	Drum Sample # 146
CLJ-DS-147	See C6619	3/4/94	Drum Sample # 147
CLJ-DS-149	See C6617	3/4/94	Drum Sample # 149
CLJ-DS-150	See C6621	3/4/94	Drum Sample # 149
CLJ-DWS-001	See C6617	2/24/94	Drum # 1
CLJ-DWS-002	See C6617	2/24/94	Drum # 2
CLJ-DWS-003	See C6617	2/24/94	Drum # 3
CLJ-DWS-004	See C6617	2/24/94	Drum # 4
CLJ-DWS-005	See C6617	2/24/94	Drum # 5
CLJ-DWS-005D	Duplicate	2/24/94	Drum # 5 - Dup
CLJ-DWS-006	See C6617	2/24/94	Drum # 6
CLJ-DWS-007	See C6621	2/24/94	Drum # 7
CLJ-DWS-008	See C6617	2/24/94	Drum # 8
CLJ-DWS-009	See C6617	2/24/94	Drum # 9
CLJ-DWS-010	See C6617	2/24/94	Drum # 10

SAMPLE ID	ANALYSIS @	SAMPLE DATE	LOCATION / DESCRIPTION
CLJ-DWS-011	See C6617	2/24/94	Drum # 11
CLJ-DWS-012	See C6620	2/24/94	Drum # 12
CLJ-DWS-013	See C6617	2/24/94	Drum # 13
CLJ-DWS-014	See C6617	2/24/94	Drum # 14
CLJ-DWS-015	See C6619	2/24/94	Drum # 15
CLJ-DWS-017	See C6622	2/24/94	Drum # 17
CLJ-DWS-018	See C6617	2/24/94	Drum # 18
CLJ-DWS-019	See C6617	2/24/94	Drum # 19
CLJ-DWS-020	See C6618	2/24/94	Drum # 20
CLJ-DWS-021	See C6617	2/24/94	Drum # 21
CLJ-DWS-022	See C6617	2/24/94	Drum # 22
CLJ-DWS-023	See C6617	2/24/94	Drum # 23
CLJ-DWS-024	See C6617	2/24/94	Drum # 24
CLJ-DWS-025	See C6617	2/24/94	Drum # 25
CLJ-DWS-026	See C6617	2/24/94	Drum # 26
CLJ-DWS-032	See C6617	2/24/94	Drum # 32
CLJ-DWS-043	See C6617	2/24/94	Drum # 43
CLJ-DWS-043D	Duplicate	2/24/94	Drum # 43 - Dup
CLJ-DWS-063	See C6617	2/24/94	Drum # 63
CLJ-DWS-072	See C6617	2/24/94	Drum # 72
CLJ-DWS-072D	Duplicate	2/24/94	Drum # 72 - Dup
CLJ-DWS-074	See C6617	2/24/94	Drum # 74
CLJ-DWS-075	CP, P, PCB, M, SV, V	11/9/94	Dark Brown Organic Sludge
CLJ-DWS-076	See C6617	2/24/94	Drum # 76
CLJ-DWS-077	See C6617	2/24/94	Drum # 77
CLJ-DWS-078	See C6617	2/24/94	Drum # 78
CLJ-DWS-079	See C6617	2/24/94	Drum # 79
CLJ-DWS-080	See C6617	2/24/94	Drum # 80
CLJ-DWS-099	See C6622	2/24/94	Drum # 99
CLJ-DWS-102	CP, P, PCB, M, SV, V (TCLP)	11/9/94	5 % Brown Organic Liquid/ 95% Orange Aq. Liquid
CLJ-DWS-145	See C6620, Free Chlorine	5/10/94	Drum # 145
CLJ-DWS-146	See C6620, Free Chlorine	5/10/94	Drum # 146
CLJ-DWS-15	See C6621, Free Chlorine	5/10/94	Drum # 150
CLJ-DWS-151	CP, P, PCB, M, SV, V	11/9/94	Brown Solid
CLJ-DWW-001	CP, M, SV, V (TCLP)	1/25/95	Decon Water
CLJ-DWW-01	CP, P, PCB, M, BNA, V (TCLP)	2/24/94	12 K Pool - Water Sample
CLJ-DWW-02	CP, P, PCB, M, BNA, V (TCLP)	3/1/94	12 K Pool - Sample # 2
CLJ-DWW-03	CP, P, PCB, M, BNA, V (TCLP)	3/15/94	12 k Pool 3rd batch water
CLJ-WCS-001	P	8/24/94	Composite
CLJ-WCS-002	P	8/24/94	Composite
CLJ-WCS-005	P	8/26/94	Large Trench
CLJ-WCS-006	P	8/26/94	Large Trench
CLJ-WCS-007	P	8/26/94	Large Trench
CLJ-WCS-008	P	8/26/94	Small Trench
CLJ-WCS-009	P	8/26/94	Small Trench
CLJ-WCS-010	P	8/26/94	Stock Pile
CLJ-WCS-011	P	8/26/94	Stock Pile
CLJ-WCS-012	P	8/26/94	Stock Pile

NOTE :

@ Analysis : BNA : Base / Neutral / Acid
 CP : Conventional Parameters
 H : Herbicides
 M : Inorganic Metals
 P : Pesticides

PCB : PCB s Analysis
 SV : Semi-Volatiles
 TPH : Petroleum Hydrocarbons
 V : Volatiles
 (TCLP) indicates TCLP Analysis

TABLE 5.3
CONFIRMATION SAMPLES LOCATION & ANALYSIS SUMMARY
MCB CAMP LEJEUNE, SITES 6 & 82 TRENCHES
OHM Project No.: 15226

SAMPLE ID	ANALYSIS @	SAMPLE DATE	LOCATION / DESCRIPTION
CLJ-CSS-001	CP, TPH, H, P, M, BNA, V (TCLP)	2/4/94	South Excavation - East Trench - North Wall
CLJ-CSS-002	CP, TPH, H, P, M, BNA, V (TCLP)	2/4/94	South Excavation - East Trench - East Wall (1st Flag)
CLJ-CSS-003	CP, TPH, H, P, M, BNA, V (TCLP)	2/4/94	South Excavation - East Trench - Floor (1st Flag)
CLJ-CSS-004	CP, TPH, H, P, M, BNA, V (TCLP)	2/4/94	South Excavation - East Trench - West Wall (1st Flag)
CLJ-CSS-005	CP, TPH, H, P, M, BNA, V (TCLP)	2/4/94	South Excavation - East Trench - East Wall (2nd Flag)
CLJ-CSS-006	CP, TPH, H, P, M, BNA, V (TCLP)	2/4/94	South Excavation - East Trench - Floor (2nd Flag)
CLJ-CSS-007	CP, TPH, H, P, M, BNA, V (TCLP)	2/4/94	South Excavation - East Trench - West Wall (2nd Flag)
CLJ-CSS-008	CP, TPH, H, P, M, BNA, V (TCLP)	2/4/94	South Excavation - East Trench - East Wall (3rd Flag)
CLJ-CSS-009	CP, TPH, H, P, M, BNA, V (TCLP)	2/4/94	South Excavation - East Trench - Floor (3rd Flag)
CLJ-CSS-010	CP, TPH, H, P, M, BNA, V (TCLP)	2/4/94	South Excavation - East Trench - West Wall (3rd Flag)
CLJ-CSS-011	CP, TPH, H, P, M, BNA, V (TCLP)	2/4/94	South Excavation - East Trench - East Wall (4th Flag)
CLJ-CSS-012	CP, TPH, H, P, M, BNA, V (TCLP)	2/4/94	South Excavation - East Trench - Floor (4th Flag)
CLJ-CSS-013	CP, TPH, H, P, M, BNA, V (TCLP)	2/4/94	South Excavation - East Trench - West Wall (4th Flag)
CLJ-CSS-014	CP, TPH, H, P, M, BNA, V (TCLP)	2/4/94	South Excavation - East Trench - South Wall
CLJ-CSS-014D	CP, TPH, H, P, M (TCLP)	2/4/94	South Excavation - East Trench - South Wall
CLJ-CSS-014D	P, PCB, M, SV, V	2/4/94	South Excavation - East Trench - South Wall
CLJ-CSS-015	CP, TPH, H, P, M, BNA, V (TCLP)	2/4/94	South Excavation - West Trench - North Wall
CLJ-CSS-015D	CP, TPH, H, P, M (TCLP)	2/4/94	South Excavation - West Trench - North Wall
CLJ-CSS-015D	P, PCB, M, SV, V	2/4/94	South Excavation - West Trench - North Wall
CLJ-CSS-016	CP, TPH, H, P, M, BNA, V (TCLP)	2/4/94	South Excavation - West Trench - East Wall (1st Flag)
CLJ-CSS-017	CP, TPH, H, P, M, BNA, V (TCLP)	2/4/94	South Excavation - West Trench - Floor (1st Flag)
CLJ-CSS-018	CP, TPH, H, P, M, BNA, V (TCLP)	2/4/94	South Excavation - West Trench - West Wall (1st Flag)
CLJ-CSS-019	CP, TPH, H, P, M, BNA, V (TCLP)	2/4/94	South Excavation - West Trench - East Wall (2nd Flag)
CLJ-CSS-01D	CP, TPH, H, P, M (TCLP)	2/4/94	South Excavation - East Trench - North Wall - Dup
CLJ-CSS-01D	P, PCB, M, SV, V	2/4/94	South Excavation - East Trench - North Wall - Dup
CLJ-CSS-020	CP, TPH, H, P, M, BNA, V (TCLP)	2/4/94	South Excavation - West Trench - Floor (2nd Flag)
CLJ-CSS-021	CP, TPH, H, P, M, BNA, V (TCLP)	2/4/94	South Excavation - West Trench - West Wall (2nd Flag)
CLJ-CSS-022	CP, TPH, H, P, M, BNA, V (TCLP)	2/4/94	South Excavation - West Trench - South Wall
CLJ-CSS-023	CP, M (TCLP)	2/23/94	West Trench - Battery Area : North Wall
CLJ-CSS-024	CP, M (TCLP)	2/23/94	West Trench - Battery Area : East Wall - Flag # 1
CLJ-CSS-025	CP, M (TCLP)	2/23/94	West Trench - Battery Area : Floor - Flag # 1
CLJ-CSS-026	CP, M (TCLP)	2/23/94	West Trench - Battery Area : West Wall - Flag # 1
CLJ-CSS-027	CP, M (TCLP)	2/23/94	West Trench - Battery Area : East Wall - Flag # 2
CLJ-CSS-028	CP, M (TCLP)	2/23/94	West Trench - Battery Area : Floor - Flag # 2
CLJ-CSS-028D	CP, TPH, H, P, M, BNA, V (TCLP)	2/23/94	West Trench - Battery Area : Floor - Flag # 2 - Dup
CLJ-CSS-028D	P, M, SV, V	2/23/94	West Trench - Battery Area : Floor - Flag # 2 - Dup
CLJ-CSS-029	CP, M (TCLP)	2/23/94	West Trench - Battery Area : West Wall - Flag # 2
CLJ-CSS-030	CP, M (TCLP)	2/23/94	West Trench - Battery Area : East Wall - Flag # 3
CLJ-CSS-031	CP, M (TCLP)	2/23/94	West Trench - Battery Area : Floor - Flag # 3
CLJ-CSS-032	CP, M (TCLP)	2/23/94	West Trench - Battery Area : West Wall - Flag # 3
CLJ-CSS-033	CP, M (TCLP)	2/23/94	West Trench - Battery Area : South Wall
CLJ-CSS-033	CP, M (TCLP)	3/3/94	East Trench - Battery Area : North Wall
CLJ-CSS-034	CP, M (TCLP)	3/3/94	East Trench - Battery Area : East Wall - First Flag
CLJ-CSS-035	CP, M (TCLP)	3/3/94	East Trench - Battery Area : Floor - First Flag
CLJ-CSS-036	CP, M (TCLP)	3/3/94	East Trench - Battery Area : West Wall - First Flag
CLJ-CSS-037	CP, M (TCLP)	3/3/94	East Trench - Battery Area : East Wall - Second Flag
CLJ-CSS-038	CP, M (TCLP)	3/3/94	East Trench - Battery Area : Floor - Second Flag
CLJ-CSS-039	CP, M (TCLP)	3/3/94	East Trench - Battery Area : West Wall - Second Flag
CLJ-CSS-040	CP, M (TCLP)	3/3/94	East Trench - Battery Area : East Wall - Third Flag
CLJ-CSS-041	CP, M (TCLP)	3/3/94	East Trench - Battery Area : Floor - Third Flag
CLJ-CSS-042	CP, M (TCLP)	3/3/94	East Trench - Battery Area : West Wall - Third Flag
CLJ-CSS-043	CP, M (TCLP)	3/3/94	East Trench - Battery Area : East Wall - Fourth Flag
CLJ-CSS-044	CP, M (TCLP)	3/3/94	East Trench - Battery Area : Floor - Fourth Flag
CLJ-CSS-045	CP, M (TCLP)	3/3/94	East Trench - Battery Area : West Wall - Fourth Flag
CLJ-CSS-046	CP, M (TCLP)	3/3/94	East Trench - Battery Area : South Wall

NOTE :

@ Analysis : BNA : Base / Neutral / Acid
CP : Conventional Parameters
H : Herbicides
M : Inorganic Metals
P : Pesticides

PCB : PCB s Analysis
SV : Semi-Volatiles
TPH : Petroleum Hydrocarbons
V : Volatiles
(TCLP) indicates TCLP Analysis

TABLE 5.4
CONFIRMATION ANALYSIS SUMMARY
MCB CAMP LEJEUNE, SITES 6 & 82 TRENCHES
OHM Project No.: 15226

SAMPLE DATE	2/4/94	2/4/94	2/4/94	2/4/94	2/4/94
SAMPLE ID	CLJ-CSS-001	CLJ-CSS-002	CLJ-CSS-003	CLJ-CSS-004	CLJ-CSS-005
CONVENTIONAL PARAMETERS (mg/kg)					
Reactive Cyanide	< 10.0	< 10.0	< 10.0	< 10.0	< 10.0
Reactive Sulfide	< 10.0	< 10.0	< 10.0	< 10.0	< 10.0
Flashpoint (deg C)	> 60	> 60	> 60	> 60	> 60
pH	6.35	5.53	5.33	5.41	5.8
PETROLEUM HYDROCARBONS (mg/kg)					
Light Hydrocarbons (C2-C10) / GRO	< 4.55	< 4.38	< 3.94	< 4.73	< 3.88
Medium Hydrocarbons (C10-C21) / DRO	< 3.30	< 3.33	< 3.32	< 3.31	< 3.32
Heavy Hydrocarbons (C21-C40)	24.9	< 16.8	< 16.7	< 16.7	< 16.7
HERBICIDES (TCLP, mg/L)					
2,4,D	< 0.250	< 0.250	< 0.250	< 0.250	< 0.250
2,4,5-TP (Silvex)	< 0.250	< 0.250	< 0.250	< 0.250	< 0.250
PESTICIDES (TCLP, mg/L)					
gamma-BHC (Lindane)	< 0.001	< 0.001	< 0.001	< 0.001	< 0.001
Heptachlor	< 0.001	< 0.001	< 0.001	< 0.001	< 0.001
Heptachlor Epoxide	< 0.001	< 0.001	< 0.001	< 0.001	< 0.001
Endrin	< 0.002	< 0.002	< 0.002	< 0.002	< 0.002
Methoxychlor	< 0.01	< 0.01	< 0.01	< 0.01	< 0.01
Chlordane					
alpha-Chlordane	< 0.001	< 0.001	< 0.001	< 0.001	< 0.001
gamma-Chlordane	< 0.001	< 0.001	< 0.001	< 0.001	< 0.001
Toxaphene	< 0.100	< 0.100	< 0.100	< 0.100	< 0.100
METALS (TCLP, mg/L)					
Arsenic	< 0.0014	< 0.0014	< 0.0014	< 0.0014	< 0.0014
Barium	0.735	0.533	0.691	0.495	0.664
Cadmium	0.0014, B	< 0.0011	< 0.0011	< 0.0011	< 0.0011
Calcium	< 0.0042	< 0.0042	< 0.0042	< 0.0042	< 0.0042
Chromium					
Lead	0.008	< 0.002	0.0023, B	< 0.002	0.0042
Mercury	< 0.00014	0.0002	< 0.00014	0.0003	< 0.00014
Selenium	< 0.0013, W	< 0.0013, W	< 0.0013, W	< 0.0013, W	< 0.0013, W
Silver	< 0.008	< 0.008	< 0.008	< 0.008	< 0.008
BASE/NEUTRAL/ACID (TCLP, mg/L)					
1,4 - Dichlorobenzene					
2 - Methylphenol	< 0.100	< 0.100	< 0.100	< 0.100	< 0.100
4 - Methylphenol	< 0.100	< 0.100	< 0.100	< 0.100	< 0.100
Hexachloroethane	< 0.100	< 0.100	< 0.100	< 0.100	< 0.100
Nitrobenzene	< 0.100	< 0.100	< 0.100	< 0.100	< 0.100
Hexachlorobutadiene	< 0.100	< 0.100	< 0.100	< 0.100	< 0.100
2,4,6 - Trichlorophenol	< 0.100	< 0.100	< 0.100	< 0.100	< 0.100
2,4,5 - Trichlorophenol	< 0.100	< 0.100	< 0.100	< 0.100	< 0.100
2, 4 - Dinitrotoluene	< 0.100	< 0.100	< 0.100	< 0.100	< 0.100
Hexachlorobenzene	< 0.100	< 0.100	< 0.100	< 0.100	< 0.100
Pentachlorophenol	< 0.100	< 0.100	< 0.100	< 0.100	< 0.100
Pyridine	< 0.100	< 0.100	< 0.100	< 0.100	< 0.100
Methoxychlor	< 0.100	< 0.100	< 0.100	< 0.100	< 0.100
gamma-BHC (Lindane)	< 0.100	< 0.100	< 0.100	< 0.100	< 0.100
Total Cresols					
VOLATILES (TCLP, mg/L)					
Vinyl Chloride	< 0.125	< 0.125	< 0.125	< 0.125	< 0.125
1,1 - Dichloroethene	< 0.125	< 0.125	< 0.125	< 0.125	< 0.125

SAMPLE DATE	2/4/94	2/4/94	2/4/94	2/4/94	2/4/94
SAMPLE ID	CLJ-CSS-001	CLJ-CSS-002	CLJ-CSS-003	CLJ-CSS-004	CLJ-CSS-005
Chloroform	< 0.125	< 0.125	< 0.125	< 0.125	< 0.125
1,2 - Dichloroethane	< 0.125	< 0.125	< 0.125	< 0.125	< 0.125
Carbon Tetrachloride	< 0.125	< 0.125	< 0.125	< 0.125	< 0.125
Trichloroethene	< 0.125	< 0.125	< 0.125	< 0.125	< 0.125
Benzene	< 0.125	< 0.125	< 0.125	< 0.125	< 0.125
Tetrachloroethene	< 0.125	< 0.125	< 0.125	< 0.125	< 0.125
Chlorobenzene	< 0.125	< 0.125	< 0.125	< 0.125	< 0.125
1,4 - Dichlorobenzene	< 0.125	< 0.125	< 0.125	< 0.125	< 0.125
Methyl Ethyl Ketone	< 0.125	< 0.125	< 0.125	< 0.125	< 0.125

**TABLE (Contd.)
CONFIRMATION ANALYSIS SUMMARY**

SAMPLE DATE	2/4/94	2/4/94	2/4/94	2/4/94	2/4/94
SAMPLE ID	CLJ-CSS-006	CLJ-CSS-007	CLJ-CSS-008	CLJ-CSS-009	CLJ-CSS-010
CONVENTIONAL PARAMETERS (mg/kg)					
Reactive Cyanide	< 10.0	< 10.0	< 10.0	< 10.0	< 10.0
Reactive Sulfide	< 10.0	< 10.0	< 10.0	< 10.0	< 10.0
Flashpoint (deg C)	> 60	> 60	> 60	> 60	> 60
pH	6.18	5.8	5.42	6.41	5.03
PETROLEUM HYDROCARBONS (mg/kg)					
Light Hydrocarbons (C2-C10) / GRO	< 3.94	< 4.38	< 4.15	< 3.94	< 4.55
Medium Hydrocarbons (C10-C21) / DRO	< 3.31	3.50	< 3.31	< 3.31	< 3.32
Heavy Hydrocarbons (C21-C40)	< 16.7	32.4	< 16.7	21.4	< 16.7
HERBICIDES (TCLP, mg/L)					
2,4,D	< 0.250	< 0.250	< 0.250	< 0.250	< 0.250
2,4,5-TP (Silvex)	< 0.250	< 0.250	< 0.250	< 0.250	< 0.250
PESTICIDES (TCLP, mg/L)					
gamma-BHC (Lindane)	< 0.001	< 0.001	< 0.001	< 0.001	< 0.001
Heptachlor	< 0.001	< 0.001	< 0.001	< 0.001	< 0.001
Heptachlor Epoxide	< 0.001	< 0.001	< 0.001	< 0.001	< 0.001
Endrin	< 0.002	< 0.002	< 0.002	< 0.002	< 0.002
Methoxychlor	< 0.01	< 0.01	< 0.01	< 0.01	< 0.01
Chlordane					
alpha-Chlordane	< 0.001	< 0.001	< 0.001	< 0.001	< 0.001
gamma-Chlordane	< 0.001	< 0.001	< 0.001	< 0.001	< 0.001
Toxaphene	< 0.100	< 0.100	< 0.100	< 0.100	< 0.100
METALS (TCLP, mg/L)					
Arsenic	< 0.0014	< 0.0014	< 0.0014	< 0.0014	< 0.0014
Barium	0.485	0.927	0.571	0.444	0.724
Cadmium	< 0.0011	< 0.00151	< 0.0011	< 0.0011	0.0019. B
Calcium	< 0.0042	< 0.0042	< 0.0042	< 0.0042	0.0073. B
Chromium					
Lead	0.0081	0.0083	< 0.002	0.184	< 0.002
Mercury	0.00032	0.0004	< 0.00014	< 0.00014	< 0.00014
Selenium	0.0017,B,W	< 0.0013, W	< 0.0013, W	< 0.0013, W	< 0.0013, W
Silver	< 0.008	< 0.008	< 0.008	< 0.008	< 0.008
BASE/NEUTRAL/ACID (TCLP, mg/L)					
1,4 - Dichlorobenzene					
2 - Methylphenol	< 0.100	< 0.100	< 0.100	< 0.100	< 0.100
4 - Methylphenol	< 0.100	< 0.100	< 0.100	< 0.100	< 0.100
Hexachloroethane	< 0.100	< 0.100	< 0.100	< 0.100	< 0.100
Nitrobenzene	< 0.100	< 0.100	< 0.100	< 0.100	< 0.100
Hexachlorobutadiene	< 0.100	< 0.100	< 0.100	< 0.100	< 0.100
2,4,6 - Trichlorophenol	< 0.100	< 0.100	< 0.100	< 0.100	< 0.100
2,4,5 - Trichlorophenol	< 0.100	< 0.100	< 0.100	< 0.100	< 0.100
2, 4 - Dinitrotoluene	< 0.100	< 0.100	< 0.100	< 0.100	< 0.100
Hexachlorobenzene	< 0.100	< 0.100	< 0.100	< 0.100	< 0.100
Pentachlorophenol	< 0.100	< 0.100	< 0.100	< 0.100	< 0.100
Pyridine	< 0.100	< 0.100	< 0.100	< 0.100	< 0.100
Methoxychlor	< 0.100	< 0.100	< 0.100	< 0.100	< 0.100
gamma-BHC (Lindane)	< 0.100	< 0.100	< 0.100	< 0.100	< 0.100
Total Cresols					
VOLATILES (TCLP, mg/L)					
Vinyl Chloride	< 0.125	< 0.125	< 0.125	< 0.125	< 0.125
1,1 - Dichloroethene	< 0.125	< 0.125	< 0.125	< 0.125	< 0.125

SAMPLE DATE	2/4/94	2/4/94	2/4/94	2/4/94	2/4/94
SAMPLE ID	CLJ-CSS-006	CLJ-CSS-007	CLJ-CSS-008	CLJ-CSS-009	CLJ-CSS-010
Chloroform	< 0.125	< 0.125	< 0.125	< 0.125	< 0.125
1,2 - Dichloroethane	< 0.125	< 0.125	< 0.125	< 0.125	< 0.125
Carbon Tetrachloride	< 0.125	< 0.125	< 0.125	< 0.125	< 0.125
Trichloroethene	< 0.125	< 0.125	< 0.125	< 0.125	< 0.125
Benzene	< 0.125	< 0.125	< 0.125	< 0.125	< 0.125
Tetrachloroethene	< 0.125	< 0.125	< 0.125	< 0.125	< 0.125
Chlorobenzene	< 0.125	< 0.125	< 0.125	< 0.125	< 0.125
1,4 - Dichlorobenzene	< 0.125	< 0.125	< 0.125	< 0.125	< 0.125
Methyl Ethyl Ketone	< 0.125	< 0.125	< 0.125	< 0.125	< 0.125

**TABLE (Contd.)
CONFIRMATION ANALYSIS SUMMARY**

SAMPLE DATE	2/4/94	2/4/94	2/4/94	2/4/94	2/4/94
SAMPLE ID	CLJ-CSS-011	CLJ-CSS-012	CLJ-CSS-013	CLJ-CSS-014	CLJ-CSS-015
CONVENTIONAL PARAMETERS (mg/kg)					
Reactive Cyanide	< 10.0	< 10.0	< 10.0	< 10.0	< 10.0
Reactive Sulfide	< 10.0	< 10.0	< 10.0	< 10.0	< 10.0
Flashpoint (deg C)	> 60	> 60	> 60	> 60	> 60
pH	5.42	5.97	5.42	5.58	5.45
PETROLEUM HYDROCARBONS (mg/kg)					
Light Hydrocarbons (C2-C10) / GRO	< 4.73	< 4.46	< 4.73	< 4.73	< 4.22
Medium Hydrocarbons (C10-C21) / DRO	< 3.29	< 3.32	< 3.32	< 3.31	< 3.32
Heavy Hydrocarbons (C21-C40)	< 16.5	< 16.7	< 16.7	< 16.7	< 16.7
HERBICIDES (TCLP, mg/L)					
2,4,D	< 0.250	< 0.250	< 0.250	< 0.250	< 0.250
2,4,5-TP (Silvex)	< 0.250	< 0.250	< 0.250	< 0.250	< 0.250
PESTICIDES (TCLP, mg/L)					
gamma-BHC (Lindane)	< 0.001	< 0.001	< 0.001	< 0.001	< 0.001
Heptachlor	< 0.001	< 0.001	< 0.001	< 0.001	< 0.001
Heptachlor Epoxide	< 0.001	< 0.001	< 0.001	< 0.001	< 0.001
Endrin	< 0.002	< 0.002	< 0.002	< 0.002	< 0.002
Methoxychlor	< 0.01	< 0.01	< 0.01	< 0.01	< 0.01
Chlordane					
alpha-Chlordane	< 0.001	< 0.001	< 0.001	< 0.001	< 0.001
gamma-Chlordane	< 0.001	< 0.001	< 0.001	< 0.001	< 0.001
Toxaphene	< 0.100	< 0.100	< 0.100	< 0.100	< 0.100
METALS (TCLP, mg/L)					
Arsenic	< 0.0014	< 0.0014	< 0.0014	< 0.0014	< 0.0014
Barium	0.604	0.375	0.321	0.415	0.461
Cadmium	0.0016, B	0.0014, B	< 0.0011	< 0.0011	< 0.0011
Calcium	< 0.0042	< 0.0042	< 0.0042	< 0.0042	< 0.0042
Chromium					
Lead	0.0332	0.0023, B	0.0065	0.0026, B, W	0.0053
Mercury	0.00057	< 0.00014	< 0.00014	< 0.00014	0.00049
Selenium	< 0.0013, W	< 0.0013, W	< 0.0013, W	< 0.0013, W	< 0.0013, W
Silver	< 0.008	< 0.008	< 0.008	< 0.008	< 0.008
BASE/NEUTRAL/ACID (TCLP, mg/L)					
1,4 - Dichlorobenzene					
2 - Methylphenol	< 0.100	< 0.100	< 0.100	< 0.100	< 0.100
4 - Methylphenol	< 0.100	< 0.100	< 0.100	< 0.100	< 0.100
Hexachloroethane	< 0.100	< 0.100	< 0.100	< 0.100	< 0.100
Nitrobenzene	< 0.100	< 0.100	< 0.100	< 0.100	< 0.100
Hexachlorobutadiene	< 0.100	< 0.100	< 0.100	< 0.100	< 0.100
2,4,6 - Trichlorophenol	< 0.100	< 0.100	< 0.100	< 0.100	< 0.100
2,4,5 - Trichlorophenol	< 0.100	< 0.100	< 0.100	< 0.100	< 0.100
2, 4 - Dinitrotoluene	< 0.100	< 0.100	< 0.100	< 0.100	< 0.100
Hexachlorobenzene	< 0.100	< 0.100	< 0.100	< 0.100	< 0.100
Pentachlorophenol	< 0.100	< 0.100	< 0.100	< 0.100	< 0.100
Pyridine	< 0.100	< 0.100	< 0.100	< 0.100	< 0.100
Methoxychlor	< 0.100	< 0.100	< 0.100	< 0.100	< 0.100
gamma-BHC (Lindane)	< 0.100	< 0.100	< 0.100	< 0.100	< 0.100
Total Cresols					
VOLATILES (TCLP, mg/L)					
Vinyl Chloride	< 0.125	< 0.125	< 0.125	< 0.125	< 0.125
1,1 - Dichloroethene	< 0.125	< 0.125	< 0.125	< 0.125	< 0.125

SAMPLE DATE	2/4/94	2/4/94	2/4/94	2/4/94	2/4/94
SAMPLE ID	CLJ-CSS-011	CLJ-CSS-012	CLJ-CSS-013	CLJ-CSS-014	CLJ-CSS-015
Chloroform	< 0.125	< 0.125	< 0.125	< 0.125	< 0.125
1,2 - Dichloroethane	< 0.125	< 0.125	< 0.125	< 0.125	< 0.125
Carbon Tetrachloride	< 0.125	< 0.125	< 0.125	< 0.125	< 0.125
Trichloroethene	< 0.125	< 0.125	< 0.125	< 0.125	< 0.125
Benzene	< 0.125	< 0.125	< 0.125	< 0.125	< 0.125
Tetrachloroethene	< 0.125	< 0.125	< 0.125	< 0.125	< 0.125
Chlorobenzene	< 0.125	< 0.125	< 0.125	< 0.125	< 0.125
1,4 - Dichlorobenzene	< 0.125	< 0.125	< 0.125	< 0.125	< 0.125
Methyl Ethyl Ketone	< 0.125	< 0.125	< 0.125	< 0.125	< 0.125

**TABLE (Contd.)
CONFIRMATION ANALYSIS SUMMARY**

SAMPLE DATE	2/4/94	2/4/94	2/4/94	2/4/94	2/4/94
SAMPLE ID	CLJ-CSS-016	CLJ-CSS-017	CLJ-CSS-018	CLJ-CSS-019	CLJ-CSS-020
CONVENTIONAL PARAMETERS (mg/kg)					
Reactive Cyanide	< 10.0	< 10.0	< 10.0	< 10.0	< 10.0
Reactive Sulfide	< 10.0	< 10.0	< 10.0	< 10.0	< 10.0
Flashpoint (deg C)	> 60	> 60	> 60	> 60	> 60
pH	5.37	5.34	6.2	5.31	5.82
PETROLEUM HYDROCARBONS (mg/kg)					
Light Hydrocarbons (C2-C10) / GRO	< 4.08	< 4.01	< 4.38	< 4.22	< 3.64
Medium Hydrocarbons (C10-C21) / DRO	< 3.33	< 3.32	< 3.33	< 3.31	< 3.32
Heavy Hydrocarbons (C21-C40)	< 16.8	< 16.7	< 16.8	< 16.7	< 16.7
HERBICIDES (TCLP, mg/L)					
2,4,D	< 0.250	< 0.250	< 0.250	< 0.250	< 0.250
2,4,5-TP (Silvex)	< 0.250	< 0.250	< 0.250	< 0.250	< 0.250
PESTICIDES (TCLP, mg/L)					
gamma-BHC (Lindane)	< 0.001	< 0.001	< 0.001	< 0.001	< 0.001
Heptachlor	< 0.001	< 0.001	< 0.001	< 0.001	< 0.001
Heptachlor Epoxide	< 0.001	< 0.001	< 0.001	< 0.001	< 0.001
Endrin	< 0.002	< 0.002	< 0.002	< 0.002	< 0.002
Methoxychlor	< 0.01	< 0.01	< 0.01	< 0.01	< 0.01
Chlordane					
alpha-Chlordane	< 0.001	< 0.001	< 0.001	< 0.001	< 0.001
gamma-Chlordane	< 0.001	< 0.001	< 0.001	< 0.001	< 0.001
Toxaphene	< 0.100	< 0.100	< 0.100	< 0.100	< 0.100
METALS (TCLP, mg/L)					
Arsenic	< 0.0014	< 0.0014	< 0.0014	< 0.0014	< 0.0014
Barium	0.411	0.434	0.47	0.493	0.381
Cadmium	< 0.0011	< 0.0011	0.0024, B	< 0.0011	< 0.0011
Calcium	< 0.0042	< 0.0042	< 0.0042	< 0.0042	< 0.0042
Chromium					
Lead	< 0.002	0.214	0.0156	< 0.002, W	< 0.002
Mercury	0.00017, B	< 0.00014	< 0.00014	< 0.00014	< 0.00014
Selenium	< 0.0013, W	< 0.0013, W	< 0.0013, W	< 0.0013, W	< 0.0013, W
Silver	< 0.008	< 0.008	< 0.008	< 0.008	< 0.008
BASE/NEUTRAL/ACID (TCLP, mg/L)					
1,4 - Dichlorobenzene					
2 - Methylphenol	< 0.100	< 0.100	< 0.100	< 0.100	< 0.100
4 - Methylphenol	< 0.100	< 0.100	< 0.100	< 0.100	< 0.100
Hexachloroethane	< 0.100	< 0.100	< 0.100	< 0.100	< 0.100
Nitrobenzene	< 0.100	< 0.100	< 0.100	< 0.100	< 0.100
Hexachlorobutadiene	< 0.100	< 0.100	< 0.100	< 0.100	< 0.100
2,4,6 - Trichlorophenol	< 0.100	< 0.100	< 0.100	< 0.100	< 0.100
2,4,5 - Trichlorophenol	< 0.100	< 0.100	< 0.100	< 0.100	< 0.100
2, 4 - Dinitrotoluene	< 0.100	< 0.100	< 0.100	< 0.100	< 0.100
Hexachlorobenzene	< 0.100	< 0.100	< 0.100	< 0.100	< 0.100
Pentachlorophenol	< 0.100	< 0.100	< 0.100	< 0.100	< 0.100
Pyridine	< 0.100	< 0.100	< 0.100	< 0.100	< 0.100
Methoxychlor	< 0.100	< 0.100	< 0.100	< 0.100	< 0.100
gamma-BHC (Lindane)	< 0.100	< 0.100	< 0.100	< 0.100	< 0.100
Total Cresols					
VOLATILES (TCLP, mg/L)					
Vinyl Chloride	< 0.125	< 0.125	< 0.125	< 0.125	< 0.125
1,1 - Dichloroethene	< 0.125	< 0.125	< 0.125	< 0.125	< 0.125

SAMPLE DATE	2/4/94	2/4/94	2/4/94	2/4/94	2/4/94
SAMPLE ID	CLJ-CSS-016	CLJ-CSS-017	CLJ-CSS-018	CLJ-CSS-019	CLJ-CSS-020
Chloroform	< 0.125	< 0.125	< 0.125	< 0.125	< 0.125
1,2 - Dichloroethane	< 0.125	< 0.125	< 0.125	< 0.125	< 0.125
Carbon Tetrachloride	< 0.125	< 0.125	< 0.125	< 0.125	< 0.125
Trichloroethene	< 0.125	< 0.125	< 0.125	< 0.125	< 0.125
Benzene	< 0.125	< 0.125	< 0.125	< 0.125	< 0.125
Tetrachloroethene	< 0.125	< 0.125	< 0.125	< 0.125	< 0.125
Chlorobenzene	< 0.125	< 0.125	< 0.125	< 0.125	< 0.125
1,4 - Dichlorobenzene	< 0.125	< 0.125	< 0.125	< 0.125	< 0.125
Methyl Ethyl Ketone	< 0.125	< 0.125	< 0.125	< 0.125	< 0.125

**TABLE (Contd.)
CONFIRMATION ANALYSIS SUMMARY**

SAMPLE DATE	2/4/94	2/4/94	2/4/94	2/4/94	2/4/94
SAMPLE ID	CLJ-CSS-021	CLJ-CSS-022	CLJ-CSS-01D	CLJ-CSS-014D	CLJ-CSS-015D
CONVENTIONAL PARAMETERS (mg/kg)					
Reactive Cyanide	< 10.0	< 10.0	< 0.32	< 0.32	< 0.31
Reactive Sulfide	< 10.0	< 10.0	< 11	< 12	< 12
Flashpoint (deg C)	> 60	> 60	> 150	> 150	> 150
pH	6.4	5.93	4.9	5	4.9
PETROLEUM HYDROCARBONS (mg/kg)					
Light Hydrocarbons (C2-C10) / GRO	< 4.55	< 4.38	< 5.0	< 5.0	< 5.0
Medium Hydrocarbons (C10-C21) / DRO	< 3.32	< 3.32	9+	< 5.0	< 5.0
Heavy Hydrocarbons (C21-C40)	< 16.7	< 16.7			
HERBICIDES (TCLP, mg/L)					
2,4,D	< 0.250	< 0.250	< 0.12 D1	< 0.12 D1	< 0.12 D1
2,4,5-TP (Silvex)	< 0.250	< 0.250	< 0.12 D1	< 0.12 D1	< 0.12 D1
PESTICIDES (TCLP, mg/L)					
gamma-BHC (Lindane)	< 0.001	< 0.001	< 0.008	< 0.008	< 0.008
Heptachlor	< 0.001	< 0.001	< 0.001	< 0.001	< 0.001
Heptachlor Epoxide	< 0.001	< 0.001	< 0.001	< 0.001	< 0.001
Endrin	< 0.002	< 0.002	< 0.004	< 0.004	< 0.004
Methoxychlor	< 0.01	< 0.01	< 0.080	< 0.080	< 0.080
Chlordane			< 0.006	< 0.006	< 0.006
alpha-Chlordane	< 0.001	< 0.001			
gamma-Chlordane	< 0.001	< 0.001			
Toxaphene	< 0.100	< 0.100	< 0.100	< 0.100	< 0.100
METALS (TCLP, mg/L)					
Arsenic	< 0.0014	< 0.0014	< 0.080	< 0.080	< 0.080
Barium	0.635	0.539	1.900 +	0.46 +	0.36 +
Cadmium	< 0.0011	< 0.0011	< 0.005	< 0.005	< 0.005
Calcium	< 0.0042	< 0.0042			
Chromium			< 0.010	< 0.010	< 0.010
Lead	0.0055	< 0.002	< 0.050	< 0.050	< 0.050
Mercury	< 0.00014	< 0.00014	< 0.0002	< 0.0002	< 0.0002
Selenium	< 0.0013. W	< 0.0013. W	< 0.002	< 0.002	< 0.002
Silver	< 0.008	< 0.008	< 0.005	< 0.005	< 0.005
BASE/NEUTRAL/ACID (TCLP, mg/L)					
1,4 - Dichlorobenzene					
2 - Methylphenol	< 0.100	< 0.100			
4 - Methylphenol	< 0.100	< 0.100			
Hexachloroethane	< 0.100	< 0.100			
Nitrobenzene	< 0.100	< 0.100			
Hexachlorobutadiene	< 0.100	< 0.100			
2,4,6 - Trichlorophenol	< 0.100	< 0.100			
2,4,5 - Trichlorophenol	< 0.100	< 0.100			
2,4 - Dinitrotoluene	< 0.100	< 0.100			
Hexachlorobenzene	< 0.100	< 0.100			
Pentachlorophenol	< 0.100	< 0.100			
Pyridine	< 0.100	< 0.100			
Methoxychlor	< 0.100	< 0.100			
gamma-BHC (Lindane)	< 0.100	< 0.100			
Total Cresols					
VOLATILES (TCLP, mg/L)					
Vinyl Chloride	< 0.125	< 0.125			
1,1 - Dichloroethene	< 0.125	< 0.125			

SAMPLE DATE	2/4/94	2/4/94	2/4/94	2/4/94	2/4/94
SAMPLE ID	CLJ-CSS-021	CLJ-CSS-022	CLJ-CSS-01D	CLJ-CSS-014D	CLJ-CSS-015D
Chloroform	< 0.125	< 0.125			
1,2 - Dichloroethane	< 0.125	< 0.125			
Carbon Tetrachloride	< 0.125	< 0.125			
Trichloroethene	< 0.125	< 0.125			
Benzene	< 0.125	< 0.125			
Tetrachloroethene	< 0.125	< 0.125			
Chlorobenzene	< 0.125	< 0.125			
1,4 - Dichlorobenzene	< 0.125	< 0.125			
Methyl Ethyl Ketone	< 0.125	< 0.125			

TABLE (Contd.)
CONFIRMATION ANALYSIS SUMMARY

SAMPLE DATE	2/23/94	2/23/94	2/23/94	2/23/94	2/23/94	2/23/94
SAMPLE ID	CLJ-CSS-23	CLJ-CSS-24	CLJ-CSS-25	CLJ-CSS-26	CLJ-CSS-27	CLJ-CSS-28
CONVENTIONAL PARAMETERS (mg/kg)						
Reactive Cyanide						
Reactive Sulfide						
Flashpoint (deg C)	> 60	> 60	> 60	> 60	> 60	> 60
pH	6.16	4.17	4.14	5.83	5.16	4.36
PETROLEUM HYDROCARBONS (mg/kg)						
Light Hydrocarbons (C2-C10) / GRO						
Medium Hydrocarbons (C10-C21) / DRO						
Heavy Hydrocarbons (C21-C40)						
HERBICIDES (TCLP, mg/L)						
2,4,D						
2,4,5-TP (Silvex)						
PESTICIDES (TCLP, mg/L)						
gamma-BHC (Lindane)						
Heptachlor						
Heptachlor Epoxide						
Endrin						
Methoxychlor						
Chlordane						
alpha-Chlordane						
gamma-Chlordane						
Toxaphene						
METALS (TCLP, mg/L)						
Arsenic	< 0.0014	< 0.0014	< 0.0014	< 0.0014	< 0.0014	< 0.0014
Barium	0.142	0.264	0.432	0.393	0.309	0.418
Cadmium	< 0.0011	0.0031, B	0.0015, B	< 0.0011	< 0.0011	0.0035, B
Calcium						
Chromium	< 0.0042	< 0.0042	0.0121	0.006, B	< 0.0042	< 0.0042
Lead	< 0.002	< 0.002	0.0113	0.0082	0.0022, B	0.009
Mercury	< 0.00014	< 0.00014	< 0.00014	< 0.00014	< 0.00014	< 0.00014
Selenium	< 0.0013, W	< 0.0013, W	< 0.0013, W	< 0.0013, W	< 0.0013, W	< 0.0013, W
Silver	< 0.008	< 0.008	< 0.008	< 0.008	< 0.008	< 0.008
BASE/NEUTRAL/ACID (TCLP, mg/L)						
1,4 - Dichlorobenzene						
2 - Methylphenol						
4 - Methylphenol						
Hexachloroethane						
Nitrobenzene						
Hexachlorobutadiene						
2,4,6 - Trichlorophenol						
2,4,5 - Trichlorophenol						
2, 4 - Dinitrotoluene						
Hexachlorobenzene						
Pentachlorophenol						
Pyridine						
Methoxychlor						
gamma-BHC (Lindane)						
Total Cresols						
VOLATILES (TCLP, mg/L)						
Vinyl Chloride						
1,1 - Dichloroethene						

SAMPLE DATE	2/23/94	2/23/94	2/23/94	2/23/94	2/23/94	2/23/94
SAMPLE ID	CLJ-CSS-23	CLJ-CSS-24	CLJ-CSS-25	CLJ-CSS-26	CLJ-CSS-27	CLJ-CSS-28
Chloroform						
1,2 - Dichloroethane						
Carbon Tetrachloride						
Trichloroethene						
Benzene						
Tetrachloroethene						
Chlorobenzene						
1,4 - Dichlorobenzene						
Methyl Ethyl Ketone						

TABLE (Contd.)
CONFIRMATION ANALYSIS SUMMARY

SAMPLE DATE	2/23/94	2/23/94	2/23/94	2/23/94	2/23/94
SAMPLE ID	CLJ-CSS-29	CLJ-CSS-30	CLJ-CSS-31	CLJ-CSS-32	CLJ-CSS-33
CONVENTIONAL PARAMETERS (mg/kg)					
Reactive Cyanide					
Reactive Sulfide					
Flashpoint (deg C)	> 60	> 60	> 60	> 60	> 60
pH	4.65	4.44	4.33	4.93	5.03
PETROLEUM HYDROCARBONS (mg/kg)					
Light Hydrocarbons (C2-C10) / GRO					
Medium Hydrocarbons (C10-C21) / DRO					
Heavy Hydrocarbons (C21-C40)					
HERBICIDES (TCLP, mg/L)					
2,4,D					
2,4,5-TP (Silvex)					
PESTICIDES (TCLP, mg/L)					
gamma-BHC (Lindane)					
Heptachlor					
Heptachlor Epoxide					
Endrin					
Methoxychlor					
Chlordane					
alpha-Chlordane					
gamma-Chlordane					
Toxaphene					
METALS (TCLP, mg/L)					
Arsenic	< 0.0014	< 0.0014	< 0.0014	< 0.0014	< 0.0014
Barium	0.336	0.262	0.327	0.29	0.357
Cadmium	< 0.0011	0.0017, B	< 0.0011	< 0.0011	< 0.0011
Calcium					
Chromium	< 0.0042	0.0045, B	0.0224	0.0064, B	< 0.0042
Lead	0.0055	0.006	0.0224	0.0033	< 0.002
Mercury	< 0.00014	< 0.00014	< 0.00014	< 0.00014	< 0.00014
Selenium	< 0.0013, W	0.0019, B, W	< 0.0013, W	< 0.0013, W	0.0019, B, W
Silver	< 0.008	< 0.008	< 0.008	< 0.008	< 0.008
BASE/NEUTRAL/ACID (TCLP, mg/L)					
1,4 - Dichlorobenzene					
2 - Methylphenol					
4 - Methylphenol					
Hexachloroethane					
Nitrobenzene					
Hexachlorobutadiene					
2,4,6 - Trichlorophenol					
2,4,5 - Trichlorophenol					
2, 4 - Dinitrotoluene					
Hexachlorobenzene					
Pentachlorophenol					
Pyridine					
Methoxychlor					
gamma-BHC (Lindane)					
Total Cresols					
VOLATILES (TCLP, mg/L)					
Vinyl Chloride					
1,1 - Dichloroethene					

SAMPLE DATE	2/23/94	2/23/94	2/23/94	2/23/94	2/23/94
SAMPLE ID	CLJ-CSS-29	CLJ-CSS-30	CLJ-CSS-31	CLJ-CSS-32	CLJ-CSS-33
Chloroform					
1,2 - Dichloroethane					
Carbon Tetrachloride					
Trichloroethene					
Benzene					
Tetrachloroethene					
Chlorobenzene					
1,4 - Dichlorobenzene					
Methyl Ethyl Ketone					

**TABLE (Contd.)
CONFIRMATION ANALYSIS SUMMARY**

SAMPLE DATE	2/23/94	3/3/94	3/3/94	3/3/94	3/3/94
SAMPLE ID	CLJ-CSS-28D	CLJ-CSS-33	CLJ-CSS-34	CLJ-CSS-35	CLJ-CSS-36
CONVENTIONAL PARAMETERS (mg/kg)					
Reactive Cyanide	< 0.32				
Reactive Sulfide	< 13				
Flashpoint (deg C)	> 150 deg F				
pH	4.3	4.59	4.68	4.22	3.87
PETROLEUM HYDROCARBONS (mg/kg)					
Light Hydrocarbons (C2-C10) / GRO					
Medium Hydrocarbons (C10-C21) / DRO					
Heavy Hydrocarbons (C21-C40)	< 5				
HERBICIDES (TCLP, mg/L)					
2,4,D	< 0.12				
2,4,5-TP (Silvex)	< 0.12				
PESTICIDES (TCLP, mg/L)					
gamma-BHC (Lindane)	< 0.008				
Heptachlor	< 0.001				
Heptachlor Epoxide	< 0.001				
Endrin	< 0.004				
Methoxychlor	< 0.08				
Chlordane	< 0.006				
alpha-Chlordane					
gamma-Chlordane					
Toxaphene	< 0.100				
METALS (TCLP, mg/L)					
Arsenic	< 0.08	< 0.001	< 0.001, W	< 0.001	< 0.001
Barium	0.75 +	0.168	0.249	0.325	0.3
Cadmium	0.012 +	< 0.0011	< 0.0011	0.0023, B	0.0014, B
Calcium					
Chromium	< 0.01	< 0.0042	< 0.0042	< 0.0042	< 0.0042
Lead	< 0.05	< 0.0023	< 0.0023, W	0.0415	< 0.0023
Mercury	< 0.0002	< 0.00014	< 0.00014	< 0.00014	< 0.00014
Selenium	< 0.002	< 0.0013, W	< 0.0013, W	< 0.0013, W	< 0.0013, W
Silver	< 0.005	< 0.008	< 0.008	< 0.008	< 0.008
BASE/NEUTRAL/ACID (TCLP, mg/L)					
1,4 - Dichlorobenzene	< 0.04				
2 - Methylphenol					
4 - Methylphenol					
Hexachloroethane	< 0.04				
Nitrobenzene	< 0.04				
Hexachlorobutadiene	< 0.04				
2,4,6 - Trichlorophenol	< 0.04				
2,4,5 - Trichlorophenol	< 0.04				
2, 4 - Dinitrotoluene	< 0.04				
Hexachlorobenzene	< 0.04				
Pentachlorophenol	< 0.04				
Pyridine	< 0.40				
Methoxychlor					
gamma-BHC (Lindane)					
Total Cresols	< 0.04				
VOLATILES (TCLP, mg/L)					
Vinyl Chloride	< 0.050				
1,1 - Dichloroethene	< 0.025				

SAMPLE DATE	2/23/94	3/3/94	3/3/94	3/3/94	3/3/94
SAMPLE ID	CLJ-CSS-28D	CLJ-CSS-33	CLJ-CSS-34	CLJ-CSS-35	CLJ-CSS-36
Chloroform	< 0.025				
1,2 - Dichloroethane	< 0.025				
Carbon Tetrachloride	< 0.025				
Trichloroethene	< 0.025				
Benzene	< 0.025				
Tetrachloroethene	< 0.025				
Chlorobenzene	< 0.025				
1,4 - Dichlorobenzene					
Methyl Ethyl Ketone	0.029, J				

**TABLE (Contd.)
CONFIRMATION ANALYSIS SUMMARY**

SAMPLE DATE	3/3/94	3/3/94	3/3/94	3/3/94	3/3/94	3/3/94
SAMPLE ID	CLJ-CSS-37	CLJ-CSS-38	CLJ-CSS-39	CLJ-CSS-40	CLJ-CSS-41	CLJ-CSS-42
CONVENTIONAL PARAMETERS (mg/kg)						
Reactive Cyanide						
Reactive Sulfide						
Flashpoint (deg C)						
pH	4.55	4.06	4.45	4.96	3.94	3.99
PETROLEUM HYDROCARBONS (mg/kg)						
Light Hydrocarbons (C2-C10) / GRO						
Medium Hydrocarbons (C10-C21) / DRO						
Heavy Hydrocarbons (C21-C40)						
HERBICIDES (TCLP, mg/L)						
2,4,D						
2,4,5-TP (Silvex)						
PESTICIDES (TCLP, mg/L)						
gamma-BHC (Lindane)						
Heptachlor						
Heptachlor Epoxide						
Endrin						
Methoxychlor						
Chlordane						
alpha-Chlordane						
gamma-Chlordane						
Toxaphene						
METALS (TCLP, mg/L)						
Arsenic	< 0.001, W	< 0.001	< 0.001, W	< 0.001	< 0.001	< 0.001, W
Barium	0.258	0.43	0.248	0.285	0.268	0.3
Cadmium	< 0.0011	0.004, B	0.0013, B	< 0.0011	0.0029, B	0.0012, B
Calcium						
Chromium	< 0.0042	0.0066, B	0.0042	< 0.0042	0.0046, B	< 0.0042
Lead	< 0.0023, W	0.0937	< 0.0023	< 0.0023, W	0.0374	0.0111
Mercury	< 0.00014	< 0.00014	< 0.00014	< 0.00014	< 0.00014	< 0.00014
Selenium	< 0.0013, W	< 0.0013, W	< 0.0013, W	< 0.0013, W	< 0.0013, W	< 0.0013, W
Silver	< 0.008	< 0.008	< 0.008	< 0.008	< 0.008	< 0.008
BASE/NEUTRAL/ACID (TCLP, mg/L)						
1,4 - Dichlorobenzene						
2 - Methylphenol						
4 - Methylphenol						
Hexachloroethane						
Nitrobenzene						
Hexachlorobutadiene						
2,4,6 - Trichlorophenol						
2,4,5 - Trichlorophenol						
2, 4 - Dinitrotoluene						
Hexachlorobenzene						
Pentachlorophenol						
Pyridine						
Methoxychlor						
gamma-BHC (Lindane)						
Total Cresols						
VOLATILES (TCLP, mg/L)						
Vinyl Chloride						
1,1 - Dichloroethene						

SAMPLE DATE	3/3/94	3/3/94	3/3/94	3/3/94	3/3/94	3/3/94
SAMPLE ID	CLJ-CSS-37	CLJ-CSS-38	CLJ-CSS-39	CLJ-CSS-40	CLJ-CSS-41	CLJ-CSS-42
Chloroform						
1,2 - Dichloroethane						
Carbon Tetrachloride						
Trichloroethene						
Benzene						
Tetrachloroethene						
Chlorobenzene						
1,4 - Dichlorobenzene						
Methyl Ethyl Ketone						

TABLE (Contd.)
CONFIRMATION ANALYSIS SUMMARY

SAMPLE DATE	3/3/94	3/3/94	3/3/94	3/3/94
SAMPLE ID	CLJ-CSS-43	CLJ-CSS-44	CLJ-CSS-45	CLJ-CSS-46
CONVENTIONAL PARAMETERS (mg/kg)				
Reactive Cyanide				
Reactive Sulfide				
Flashpoint (deg C)				
pH	4.58	3.93	4.77	4.23
PETROLEUM HYDROCARBONS (mg/kg)				
Light Hydrocarbons (C2-C10) / GRO				
Medium Hydrocarbons (C10-C21) / DRO				
Heavy Hydrocarbons (C21-C40)				
HERBICIDES (TCLP, mg/L)				
2,4,D				
2,4,5-TP (Silvex)				
PESTICIDES (TCLP, mg/L)				
gamma-BHC (Lindane)				
Heptachlor				
Heptachlor Epoxide				
Endrin				
Methoxychlor				
Chlordane				
alpha-Chlordane				
gamma-Chlordane				
Toxaphene				
METALS (TCLP, mg/L)				
Arsenic	< 0.001, W	< 0.001, W	< 0.001, W	< 0.001, W
Barium	0.296	0.26	0.344	0.297
Cadmium	< 0.0011	0.0014, B	< 0.0011	< 0.0011
Calcium				
Chromium	< 0.0042	< 0.0042	< 0.0042	0.0061, B
Lead	< 0.0023	0.0332, W	< 0.0023, W	< 0.0023, E
Mercury	< 0.00014	< 0.00014	< 0.00014	< 0.00014
Selenium	< 0.0013, W	< 0.0013, W	< 0.0013, W	< 0.0013, W
Silver	< 0.008	< 0.008	< 0.008	< 0.008
BASE/NEUTRAL/ACID (TCLP, mg/L)				
1,4 - Dichlorobenzene				
2 - Methylphenol				
4 - Methylphenol				
Hexachloroethane				
Nitrobenzene				
Hexachlorobutadiene				
2,4,6 - Trichlorophenol				
2,4,5 - Trichlorophenol				
2,4 - Dinitrotoluene				
Hexachlorobenzene				
Pentachlorophenol				
Pyridine				
Methoxychlor				
gamma-BHC (Lindane)				
Total Cresols				
VOLATILES (TCLP, mg/L)				
Vinyl Chloride				
1,1 - Dichloroethene				

SAMPLE DATE	3/3/94	3/3/94	3/3/94	3/3/94
SAMPLE ID	CLJ-CSS-43	CLJ-CSS-44	CLJ-CSS-45	CLJ-CSS-46
Chloroform				
1,2 - Dichloroethane				
Carbon Tetrachloride				
Trichloroethene				
Benzene				
Tetrachloroethene				
Chlorobenzene				
1,4 - Dichlorobenzene				
Methyl Ethyl Ketone				

TABLE 5.5
DUPLICATE CONFIRMATION ANALYSIS SUMMARY
MCB CAMP LEJEUNE, SITES 6 & 82 TRENCHES
OHM Project No.: 15226

SAMPLE DATE	2/4/94	2/4/94	2/4/94	2/23/94
SAMPLE ID	CLJ-CSS-01D	CLJ-CSS-014D	CLJ-CSS-015D	CLJ-CSS-028D
PESTICIDES AND PCBs	mg/kg	mg/kg	mg/kg	mg/kg
alpha-BHC	< 0.0038	< 0.0019	< 0.0019	< 0.0021
beta-BHC	< 0.0038	< 0.0019	< 0.0019	< 0.0021
delta-BHC	< 0.0038	< 0.0019	< 0.0019	≤ 0.0021
gamma-BHC (Lindane)	< 0.0038	< 0.0019	< 0.0019	< 0.0021
Heptachlor	< 0.0038	< 0.0019	< 0.0019	< 0.0021
Aldrin	< 0.0038	< 0.0019	< 0.0019	< 0.0021
Heptachlor Epoxide	< 0.0038	< 0.0019	< 0.0019	< 0.0021
Endosulfan I	< 0.0038	< 0.0019	< 0.0019	< 0.0021
Dieldrin	0.018	< 0.0036	< 0.0037	< 0.004
4,4'-DDE	0.013	< 0.0036	< 0.0037	< 0.004
Endrin	< 0.0074	< 0.0036	< 0.0037	< 0.004
Endosulfan II	< 0.0074	< 0.0036	< 0.0037	< 0.004
4,4'-DDD	0.043, P	< 0.0036	< 0.0037	< 0.004
Endosulfan sulfate	< 0.0074	< 0.0036	< 0.0037	< 0.004
4,4'-DDT	0.82, P, Z	< 0.0036	0.067, Z	0.0072
Methoxychlor	< 0.038	< 0.0019	< 0.019	< 0.021
Endrin ketone	< 0.0074	< 0.0036	< 0.0037	< 0.004
Endrin aldehyde	< 0.0074	< 0.0036	< 0.0037	< 0.004
alpha-Chlordane	< 0.0038	< 0.0019	< 0.0019	< 0.0021
gamma-Chlordane	< 0.0038	< 0.0019	< 0.0019	< 0.0021
Toxaphene	< 0.380	< 0.190	< 0.190	< 0.210
Aroclor-1016	< 0.074	< 0.036	< 0.037	< 0.040
Aroclor-1221	< 0.150	< 0.073	< 0.074	< 0.082
Aroclor-1232	< 0.074	< 0.036	< 0.037	< 0.040
Aroclor-1242	< 0.074	< 0.036	< 0.037	< 0.040
Aroclor-1248	< 0.074	< 0.036	< 0.037	< 0.040
Aroclor-1254	< 0.074	< 0.036	< 0.037	< 0.040
Aroclor-1260	< 0.074	< 0.036	< 0.037	< 0.040
INORGANIC METALS	mg/kg	mg/kg	mg/kg	mg/kg
Aluminum	2,110	3,410	3,120	904
Antimony	< 10.6	< 10.8	< 10.7	< 12.3
Arsenic	< 0.42	< 0.41	< 0.44	< 0.48
Barium	4.7, B	3.4, B	2.5, B	2.6, B
Beryllium	< 0.21	< 0.22	< 0.21	< 0.25
Cadmium	< 1.1	< 1.1	< 1.1	< 1.2
Calcium	360, B	105, B	53.5, B	63.3, B
Chromium	3.8	4.3	3.5	< 2.5
Cobalt	< 2.1	< 2.2	< 2.1	< 2.5
Copper	2.4, B	< 2.2	< 2.1	< 2.5
Iron	381	318	241	744
Lead	5.3	3.4	4.2	4.6
Magnesium	60.9, B	67.0, B	48.1, B	43.1, B
Manganese	4.4	2.6, B	2.5, B	5.0
Mercury	< 0.11	< 0.10	< 0.10	< 0.11

SAMPLE DATE	2/4/94	2/4/94	2/4/94	2/23/94
SAMPLE ID	CLJ-CSS-01D	CLJ-CSS-014D	CLJ-CSS-015D	CLJ-CSS-028D
Nickel	< 4.2	< 4.3	< 4.3	< 4.9
Potassium	242, B	< 216	< 213	< 247
Selenium	< 0.42	< 0.41	< 0.44	< 0.48
Silver	< 1.1	< 1.1	< 1.1	< 1.2
Sodium	34.7, B	31.2, B	43.0, B	42.2, B
Thallium	< 0.42	< 0.41	< 0.44	< 0.48
Vanadium	2.4, B	3.2, B	2.5, B	< 2.5
Zinc	8.8	2.6, B	3.0, B	28.7
Cyanide	< 1.1	< 1.1	< 1.1	< 1.2
SEMIVOLATILE ORGANICS	<i>mg/kg</i>	<i>mg/kg</i>	<i>mg/kg</i>	<i>mg/kg</i>
Phenol	< 0.370	< 0.360	< 0.370	< 0.410
bis (2-Chloroethyl) ether	< 0.370	< 0.360	< 0.370	< 0.410
2-Chlorophenol	< 0.370	< 0.360	< 0.370	< 0.410
1,3 - Dichlorobenzene	< 0.370	< 0.360	< 0.370	< 0.410
1,4 - Dichlorobenzene	< 0.370	< 0.360	< 0.370	< 0.410
1,2 - Dichlorobenzene	< 0.370	< 0.360	< 0.370	< 0.410
2 - Methylphenol	< 0.370	< 0.360	< 0.370	< 0.410
2, 2' - oxybis (1-Chloropropane)	< 0.370	< 0.360	< 0.370	< 0.410
4 - Methylphenol	< 0.370	< 0.360	< 0.370	< 0.410
N - Nitroso-di-n-propylamine	< 0.370	< 0.360	< 0.370	< 0.410
Hexachloroethane	< 0.370	< 0.360	< 0.370	< 0.410
Nitrobenzene	< 0.370	< 0.360	< 0.370	< 0.410
Isophorone	< 0.370	< 0.360	< 0.370	< 0.410
2 - Nitrophenol	< 0.370	< 0.360	< 0.370	< 0.410
2,4 - Dimethylphenol	< 0.370	< 0.360	< 0.370	< 0.410
bis (2-Chloroethoxy) methane	< 0.370	< 0.360	< 0.370	< 0.410
2,4 - Dichlorophenol	< 0.370	< 0.360	< 0.370	< 0.410
1,2,4 - Trichlorobenzene	< 0.370	< 0.360	< 0.370	< 0.410
Naphthalene	< 0.370	< 0.360	< 0.370	< 0.410
4-Chloroaniline	< 0.370	< 0.360	< 0.370	< 0.410
Hexachlorobutadiene	< 0.370	< 0.360	< 0.370	< 0.410
4 - Chloro - 3 -methylphenol	< 0.370	< 0.360	< 0.370	< 0.410
2 - Methylnaphthalene	< 0.370	< 0.360	< 0.370	< 0.410
Hexachlorocyclopentadiene	< 0.370	< 0.360	< 0.370	< 0.410
2,4,6 - Trichlorophenol	< 0.370	< 0.360	< 0.370	< 0.410
2,4,5 - Trichlorophenol	< 0.900	< 0.870	< 0.890	< 0.980
2 - Chloronaphthalene	< 0.370	< 0.360	< 0.370	< 0.410
2 - Nitroaniline	< 0.900	< 0.870	< 0.890	< 0.980
Dimethylphthalate	< 0.370	< 0.360	< 0.370	< 0.410
Acenaphthylene	< 0.370	< 0.360	< 0.370	< 0.410
2,6 - Dinitrotoluene	< 0.370	< 0.360	< 0.370	< 0.410
3 - Nitroaniline	< 0.900	< 0.870	< 0.890	< 0.980
Acenaphthene	< 0.370	< 0.360	< 0.370	< 0.410
2,4 - Dinitrophenol	< 0.900	< 0.870	< 0.890	< 0.980
4 - Nitrophenol	< 0.900	< 0.870	< 0.890	< 0.980
Dibenzofuran	< 0.370	< 0.360	< 0.370	< 0.410
2, 4 - Dinitrotoluene	< 0.370	< 0.360	< 0.370	< 0.410
Diethylphthalate	< 0.370	< 0.360	< 0.370	< 0.410
4 - Chlorophenyl-phenylether	< 0.370	< 0.360	< 0.370	< 0.410
Fluorene	< 0.900	< 0.360	< 0.370	< 0.410

SAMPLE DATE	2/4/94	2/4/94	2/4/94	2/23/94
SAMPLE ID	CLJ-CSS-01D	CLJ-CSS-014D	CLJ-CSS-015D	CLJ-CSS-028D
4 - Nitroaniline	< 0.900	< 0.870	< 0.890	< 0.980
4,6 - Dinitro-2-methylphenol	< 0.370	< 0.870	< 0.890	< 0.980
N - Nitrosodiphenylamine (1)	< 0.370	< 0.360	< 0.370	< 0.410
4 - Bromophenyl-phenylether	< 0.370	< 0.360	< 0.370	< 0.410
Hexachlorobenzene	< 0.370	< 0.360	< 0.370	< 0.410
Pentachlorophenol	< 0.900	< 0.870	< 0.890	< 0.980
Phenanthrene	< 0.370	< 0.360	< 0.370	< 0.410
Anthracene	< 0.370	< 0.360	< 0.370	< 0.410
Carbazole	< 0.370	< 0.360	< 0.370	< 0.410
Di-n-butylphthalate	< 0.370	< 0.360	< 0.370	< 0.410
Fluoranthene	< 0.370	< 0.360	< 0.370	< 0.410
Pyrene	< 0.370	< 0.360	< 0.370	< 0.410
Butylbenzylphthalate	< 0.370	< 0.360	< 0.370	< 0.410
3,3' - Dichlorobenzidine	< 0.370	< 0.360	< 0.370	< 0.410
Benzo (a) anthracene	< 0.370	< 0.360	< 0.370	< 0.410
Chrysene	< 0.370	< 0.360	< 0.370	< 0.410
bis (2-Ethylhexyl) phthalate	0.042, J	0.320, J	0.170, J	0.950
Di-n-octylphthalate	< 0.370	< 0.360	< 0.370	< 0.410
Benzo (b) fluoranthene	< 0.370	< 0.360	< 0.370	< 0.410
Benzo (k) fluoranthene	< 0.370	< 0.360	< 0.370	< 0.410
Benzo (a) pyrene	< 0.370	< 0.360	< 0.370	< 0.410
Indeno (1,2,3 - cd) pyrene	< 0.370	< 0.360	< 0.370	< 0.410
Dibenz (a,h) anthracene	< 0.370	< 0.360	< 0.370	< 0.410
Benzo (g,h,i) perylene	< 0.370	< 0.360	< 0.370	< 0.410
(1) - Cannot be separated from Diphenylamine				
VOLATILE ORGANICS	<i>mg/kg</i>	<i>mg/kg</i>	<i>mg/kg</i>	<i>mg/kg</i>
Chloromethane	< 0.011	< 0.011	< 0.011	< 0.012
Bromomethane	< 0.011	< 0.011	< 0.011	< 0.012
Vinyl Chloride	< 0.011	< 0.011	< 0.011	< 0.012
Chloroethane	< 0.011	< 0.011	< 0.011	< 0.012
Methylene Chloride	0.018, B	0.044, B	0.013, B	0.005, B, J
Acetone	0.002, B, J	0.004, B, J	0.002, B, J	0.005, B, J
Carbon Disulfide	< 0.011	< 0.011	< 0.011	< 0.012
1,1 - Dichloroethene	< 0.011	< 0.011	< 0.011	< 0.012
1,1 - Dichloroethane	< 0.011	< 0.011	< 0.011	< 0.012
1,2 - Dichloroethene (total)	< 0.011	< 0.011	< 0.011	< 0.012
Chloroform	< 0.011	< 0.011	< 0.011	0.002, J
1,2 - Dichloroethane	< 0.011	< 0.011	< 0.011	< 0.012
2 - Butanone	< 0.011	< 0.011	< 0.011	< 0.012
1,1,1 - Trichloroethane	< 0.011	< 0.011	< 0.011	< 0.012
Carbon Tetrachloride	< 0.011	< 0.011	< 0.011	< 0.012
Bromodichloromethane	< 0.011	< 0.011	< 0.011	< 0.012
1,2 - Dichloropropane	< 0.011	< 0.011	< 0.011	< 0.012
cis-1,3 - Dichloropropene	< 0.011	< 0.011	< 0.011	< 0.012
Trichloroethene	< 0.011	< 0.011	< 0.011	< 0.012
Dibromochloromethane	< 0.011	< 0.011	< 0.011	< 0.012
1,1,2 - Trichloroethane	< 0.011	< 0.011	< 0.011	< 0.012
Benzene	< 0.011	< 0.011	< 0.011	< 0.012
trans - 1,3 - Dichloropropene	< 0.011	< 0.011	< 0.011	< 0.012
Bromoform	< 0.011	< 0.011	< 0.011	< 0.012

SAMPLE DATE	2/4/94	2/4/94	2/4/94	2/23/94
SAMPLE ID	CLJ-CSS-01D	CLJ-CSS-014D	CLJ-CSS-015D	CLJ-CSS-028D
4 - Methyl - 2- Pentanone	< 0.011	< 0.011	< 0.011	< 0.012
2 - Hexanone	< 0.011	< 0.011	< 0.011	< 0.012
Tetrachloroethene	< 0.011	< 0.011	< 0.011	< 0.012
1,1,2,2 - Tetrachloroethane	< 0.011	< 0.011	< 0.011	< 0.012
Toluene	< 0.011	0.003, J	0.003, J	0.002, J
Chlorobenzene	< 0.011	< 0.011	< 0.011	< 0.012
Ethylbenzene	< 0.011	0.042	< 0.011	< 0.012
Styrene	< 0.011	< 0.011	< 0.011	< 0.012
Xylene (total)	< 0.011	0.053	< 0.011	< 0.012

TABLE 5.6
WASTE CHARACTERIZATION ANALYSIS SUMMARY
MCB CAMP LEJEUNE, SITES 6 & 82 TRENCHES
OHM Project No.: 15226

SAMPLE DATE	2/4/94	2/4/94	2/4/94	2/17/94	2/17/94	2/17/94	2/17/94
SAMPLE ID	CLJ-DS-01	CLJ-DS-01A	CLJ-DS-01B	C6527	C6528	C6529	CLJ-DS-06
CONVENTIONAL PARAMETERS	<i>mg/kg</i>	<i>mg/kg</i>	<i>mg/kg</i>	<i>mg/kg</i>	<i>mg/kg</i>	<i>mg/kg</i>	<i>mg/kg</i>
Reactive Cyanide	< 10.0	< 10.0	< 10.0		< 10	< 10	< 10
Reactive Sulfide	< 10.0	< 10.0	< 10.0		< 10	< 10	< 10
Flashpoint, 60 (deg C)	> 60	> 60	> 60		> 60	> 60	> 60
pH (Electrode)	6.03	6.24	5.89		7	-6.06	7
BTU (BTU/lb)				1110			
Density (g/cc)				0.57			
% Moisture							
Paint Filter Test							
Chloride				31.5, B			
Nitrate as N				2.50, B			
Phosphate as P				< 3.26			
Sulfate				109			
Sulfide, as S							
Free Chlorine (mg/L)							
Oil and Grease							
Total Suspended Solids							
Total Dissolved Solids							
PETROLEUM HYDROCARBONS	<i>mg/kg</i>	<i>mg/kg</i>	<i>mg/kg</i>	<i>mg/kg</i>	<i>mg/kg</i>	<i>mg/kg</i>	<i>mg/kg</i>
Light Hydrocarbons (C2-C10)	< 4.22	< 4.73	< 4.73		< 4.73	< 4.55	276
Medium Hydrocarbons (C10-C21)	23.0	22.8	< 16.5		482	9.7	344
Heavy Hydrocarbons (C21-C40)	340	192	157		2,360	90.8	2,180
HERBICIDES	<i>mg/L-TCLP</i>	<i>mg/L-TCLP</i>	<i>mg/L-TCLP</i>	<i>mg/kg</i>	<i>mg/L-TCLP</i>	<i>mg/L-TCLP</i>	<i>mg/L-TCLP</i>
2,4,D	< 0.250	< 0.250	< 0.250		< 0.250	< 0.250	< 0.250
2,4,5-TP (Silvex)	< 0.250	< 0.250	< 0.250		< 0.250	< 0.250	< 0.250
PESTICIDES AND PCBs	<i>mg/kg</i>	<i>mg/kg</i>	<i>mg/kg</i>	<i>mg/kg</i>	<i>mg/L-TCLP</i>	<i>mg/L-TCLP</i>	<i>mg/L-TCLP</i>
alpha-BHC				< 0.331			
beta-BHC				< 0.331			
delta-BHC				< 0.331			
gamma-BHC (Lindane)	< 0.001	< 0.001	< 0.001	< 0.331			
Heptachlor	< 0.001	< 0.001	< 0.001	< 0.331	< 0.002	< 0.002	< 0.002
Aldrin				< 0.331			
Heptachlor Epoxide	< 0.001	< 0.001	< 0.001	< 0.331	< 0.002	< 0.002	< 0.002
Endosulfan I				< 0.331			
Dieldrin				< 0.331			
4,4'-DDE				0.533			
Endrin	< 0.002	< 0.002	< 0.002	< 0.331	< 0.002	< 0.002	< 0.002
Endosulfan II				< 0.331			
4,4'-DDD				< 0.331			
Endosulfan sulfate				< 0.331			
4,4'-DDT				24.5			
Methoxychlor	< 0.01	< 0.01	< 0.01	< 0.331			
Endrin ketone				< 0.331			
Endrin aldehyde				< 0.331			
Chlordane							
alpha-Chlordane	< 0.001	< 0.001	< 0.001	< 0.331	< 0.002	< 0.002	< 0.002
gamma-Chlordane	< 0.001	< 0.001	< 0.001	< 0.331	< 0.002	< 0.002	< 0.002
Toxaphene	< 0.100	< 0.100	< 0.100	6.62	< 0.04	< 0.04	< 0.04
Aroclor-1016	< 0.331	< 0.333	< 0.330	< 0.25			
Aroclor-1221	< 0.331	< 0.333	< 0.330	< 0.25			
Aroclor-1232	< 0.331	< 0.333	< 0.330	< 0.25			

SAMPLE DATE	2/4/94	2/4/94	2/4/94	2/17/94	2/17/94	2/17/94	2/17/94
SAMPLE ID	CLJ-DS-01	CLJ-DS-01A	CLJ-DS-01B	C6527	C6528	C6529	CLJ-DS-06
Aroclor-1242	< 0.331	< 0.333	< 0.330	< 0.25			
Aroclor-1248	< 0.331	< 0.333	< 0.330	< 0.25			
Aroclor-1254	< 0.331	< 0.333	< 0.330	< 0.25			
Aroclor-1260	< 0.331	< 0.333	< 0.330	< 0.25			
INORGANIC METALS	<i>mg/L-TCLP</i>	<i>mg/L-TCLP</i>	<i>mg/L-TCLP</i>	<i>mg/kg</i>	<i>mg/L-TCLP</i>	<i>mg/L-TCLP</i>	<i>mg/L-TCLP</i>
Aluminum				3,440			
Antimony				< 2.50			
Arsenic	< 0.0014	< 0.0014	< 0.0014	6.79	< 0.0014	< 0.0014	< 0.0014
Barium	0.941	0.698	0.435	358	1.26	0.928	0.536
Beryllium				< 1.25			
Boron							
Cadmium	0.0019, B	0.0018, B	0.0021, B	< 1.25	< 0.0011	< 0.0011	0.0023, B
Calcium	< 0.0042	< 0.0042	< 0.0042	569			
Chromium				4.76	< 0.0042	< 0.0042	0.0043, B
Cobalt				< 6.25			
Copper				13.1			
Iron				3.7			
Lead	0.499	0.133	3.77	19.4	< 0.002	< 0.002	0.097
Magnesium				168			
Manganese				17.6			
Mercury	0.00051	< 0.00014	< 0.00014	0.08	< 0.00014	< 0.00014	< 0.00014
Molybdenum							
Nickel				3.47			
Potassium							
Selenium	< 0.0013, W	< 0.0013, W	< 0.0013, W	< 2.36	0.0033, B	< 0.0013	0.0019, B
Silver	< 0.008	< 0.008	< 0.008	< 1.25	< 0.008	< 0.008	< 0.008
Sodium				87			
Strontium							
Thallium				< 6.25			
Vanadium				9.4			
Zinc				87.9			
Cyanide							
SEMIVOLATILE ORGANICS	<i>mg/L-TCLP</i>	<i>mg/L-TCLP</i>	<i>mg/L-TCLP</i>	<i>mg/kg</i>	<i>mg/L-TCLP</i>	<i>mg/L-TCLP</i>	<i>mg/L-TCLP</i>
Phenol				< 3.32			
bis (2-Chloroethyl) ether				< 3.32			
2-Chlorophenol				< 3.32			
1,3 - Dichlorobenzene				< 3.32			
1,4 - Dichlorobenzene				< 3.32			
1,2 - Dichlorobenzene				< 3.32			
2 - Methylphenol	< 0.100	< 0.100	< 0.100	< 3.32	< 0.100	< 0.100	< 0.100
2, 2' - oxybis (1-Chloropropane)				< 3.32			
4 - Methylphenol	< 0.100	< 0.100	< 0.100	< 3.32	< 0.100	< 0.100	< 0.100
N - Nitroso-di-n-propylamine				< 3.32			
Hexachloroethane	< 0.100	< 0.100	< 0.100	< 3.32	< 0.100	< 0.100	< 0.100
Nitrobenzene	< 0.100	< 0.100	< 0.100	< 3.32	< 0.100	< 0.100	< 0.100
Isophorone				< 3.32			
2 - Nitrophenol				< 3.32			
2,4 - Dimethylphenol				< 3.32			
bis (2-Chloroethoxy) methane				< 3.32			
2,4 - Dichlorophenol				< 3.32			
1,2,4 - Trichlorobenzene				< 3.32			
Naphthalene				< 3.32			
4-Chloroaniline				< 3.32			
Hexachlorobutadiene	< 0.100	< 0.100	< 0.100	< 3.32	< 0.100	< 0.100	< 0.100
4 - Chloro - 3 -methylphenol				< 3.32			
2 - Methylnaphthalene				< 3.32			
Hexachlorocyclopentadiene				< 3.32			

SAMPLE DATE	2/4/94	2/4/94	2/4/94	2/17/94	2/17/94	2/17/94	2/17/94
SAMPLE ID	CLJ-DS-01	CLJ-DS-01A	CLJ-DS-01B	C6527	C6528	C6529	CLJ-DS-06
2,4,6 - Trichlorophenol	< 0.100	< 0.100	< 0.100	< 3.32	< 0.100	< 0.100	< 0.100
2,4,5 - Trichlorophenol	< 0.100	< 0.100	< 0.100	< 3.32	< 0.100	< 0.100	< 0.100
2 - Chloronaphthalene				< 3.32			
2 - Nitroaniline				< 3.32			
Dimethylphthalate				< 3.32			
Acenaphthylene				< 3.32			
2,6 - Dinitrotoluene				< 3.32			
3 - Nitroaniline				< 3.32			
Acenaphthene				< 3.32			
2,4 - Dinitrophenol				< 16.6			
4 - Nitrophenol				< 16.6			
Dibenzofuran				< 3.32			
2, 4 - Dinitrotoluene	< 0.100	< 0.100	< 0.100	< 3.32	< 0.100	< 0.100	< 0.100
Diethylphthalate				< 3.32			
4 - Chlorophenyl-phenylether				< 3.32			
Fluorene				< 3.32			
4 - Nitroaniline				< 3.32			
4,6 - Dinitro-2-methylphenol				< 3.32			
N - Nitrosodiphenylamine (1)				< 3.32			
4 - Bromophenyl-phenylether				< 3.32			
Hexachlorobenzene	< 0.100	< 0.100	< 0.100	< 3.32	< 0.100	< 0.100	< 0.100
Pentachlorophenol	< 0.100	< 0.100	< 0.100	< 3.32	< 0.100	< 0.100	< 0.100
Phenanthrene				< 3.32			
Anthracene				< 3.32			
Carbazole				< 3.32			
Di-n-butylphthalate				< 3.32			
Fluoranthene				< 3.32			
Pyrene				< 3.32			
Butylbenzylphthalate				< 3.32			
3,3' - Dichlorobenzidine				< 3.32			
Benzo (a) anthracene				< 3.32			
Chrysene				< 3.32			
bis (2-Ethylhexyl) phthalate				1.45, J			
Di-n-octylphthalate				< 3.32			
Benzo (b) fluoranthene				< 3.32			
Benzo (k) fluoranthene				< 3.32			
Benzo (a) pyrene				< 3.32			
Indeno (1,2,3 - cd) pyrene				< 3.32			
Dibenz (a,h) anthracene				< 3.32			
Benzo (g,h,i) perylene				< 3.32			
Pyridine	< 0.100	< 0.100	< 0.100		< 0.100	< 0.100	< 0.100
Methoxychlor	< 0.100	< 0.100	< 0.100		< 0.100	< 0.100	< 0.100
gamma-BHC (Lindane)	< 0.100	< 0.100	< 0.100		< 0.100	< 0.100	< 0.100
4,6 - Dinitro-o-cresol							
Total Cresols							
Benzoic Acid							
(1) - Cannot be separated from Diphenylamine							
VOLATILE ORGANICS	<i>mg/L-TCLP</i>	<i>mg/L-TCLP</i>	<i>mg/L-TCLP</i>	<i>mg/kg</i>	<i>mg/L-TCLP</i>	<i>mg/L-TCLP</i>	<i>mg/L-TCLP</i>
Chloromethane				< 0.625			
Bromomethane				< 0.625			
Vinyl Chloride	< 0.125	< 0.125	< 0.125	< 0.625	< 0.125	< 0.125	< 0.125
Chloroethane				< 0.625			
Methylene Chloride				< 0.625			
Acetone				< 0.625			
Carbon Disulfide				< 0.625			
1,1 - Dichloroethene	< 0.125	< 0.125	< 0.125	< 0.625	< 0.125	< 0.125	< 0.125
1,1 - Dichloroethane				< 0.625			

SAMPLE DATE	2/4/94	2/4/94	2/4/94	2/17/94	2/17/94	2/17/94	2/17/94
SAMPLE ID	CLJ-DS-01	CLJ-DS-01A	CLJ-DS-01B	C6527	C6528	C6529	CLJ-DS-06
1,2 - Dichloroethene (total)				< 0.625			
Chloroform	< 0.125	< 0.125	< 0.125	< 0.625	< 0.125	< 0.125	< 0.125
1,2 - Dichloroethane	< 0.125	< 0.125	< 0.125	< 0.625	< 0.125	< 0.125	< 0.125
2 - Butanone	< 0.125	< 0.125	< 0.125	< 0.625	< 0.250	< 0.250	< 0.250
1,1,1 - Trichloroethane				< 0.625			
Carbon Tetrachloride	< 0.125	< 0.125	< 0.125	< 0.625	< 0.125	< 0.125	< 0.125
Bromodichloromethane				< 0.625			
1,2 - Dichloropropane				< 0.625			
cis-1,3 - Dichloropropene				< 0.625			
Trichloroethene	< 0.125	< 0.125	< 0.125	< 0.625	< 0.125	< 0.125	< 0.125
Dibromochloromethane				< 0.625			
1,1,2 - Trichloroethane				< 0.625			
Benzene	< 0.125	< 0.125	< 0.125	< 0.625	< 0.125	< 0.125	< 0.125
trans - 1,3 - Dichloropropene				< 0.625			
Bromoform				< 0.625			
4 - Methyl - 2- Pentanone				< 0.625			
2 - Hexanone				< 0.625			
Tetrachloroethene	< 0.125	< 0.125	< 0.125	< 0.625	< 0.125	< 0.125	< 0.125
1,1,2,2 - Tetrachloroethane				< 0.625			
Toluene				< 0.625			
Chlorobenzene	< 0.125	< 0.125	< 0.125	< 0.625	< 0.125	< 0.125	< 0.125
Ethylbenzene				< 0.625			
Styrene				< 0.625			
Xylene (total)				< 0.625			
1,4 - Dichlorobenzene	< 0.125	< 0.125	< 0.125	< 0.625	< 0.125	< 0.125	< 0.125
1,2 - trans-Dichloroethene				< 0.625			
m - p - Xylenes				< 0.625			
Methyl Ethyl Ketone	< 0.250	< 0.250	< 0.250				
Methyl-iso-butyl ketone							

TABLE (Contd.)
WASTE CHARACTERIZATION ANALYSIS SUMMARY

SAMPLE DATE	2/17/94	2/17/94	2/17/94	2/17/94	2/25/94	2/25/94	2/25/94
SAMPLE ID	CLJ-DS-07	CLJ-DS-07D	CLJ-DS-08	CLJ-DS-09	C6617	C6618	C6619
CONVENTIONAL PARAMETERS	<i>mg/kg</i>	<i>mg/kg</i>	<i>mg/kg</i>	<i>mg/kg</i>	<i>mg/kg</i>	<i>mg/kg</i>	<i>mg/kg</i>
Reactive Cyanide	< 10	< 10	< 10	< 10			
Reactive Sulfide	< 10	< 10	< 10	< 10			
Flashpoint, 60 (deg C)	> 60	> 60	> 60	> 60	> 60	> 60	> 60
pH (Electrode)	7.03	7	6.4	5.63	8.6	10.8	3.93
BTU (BTU/lb)					6240	< 200	3000
Density (g/cc)					1.36	0.88	0.549
% Moisture							
Paint Filter Test							
Chloride					492	300, B	2410
Nitrate as N					125, B	125, B	250, B
Phosphate as P					163, B	163, B	326, B
Sulfate					1570	500, B	1000, B
Sulfide, as S							
Free Chlorine (mg/L)							
Oil and Grease							
Total Suspended Solids							
Total Dissolved Solids							
PETROLEUM HYDROCARBONS	<i>mg/kg</i>	<i>mg/kg</i>	<i>mg/kg</i>	<i>mg/kg</i>	<i>mg/kg</i>	<i>mg/kg</i>	<i>mg/kg</i>
Light Hydrocarbons (C2-C10)	< 4.30	< 4.64	< 4.64	< 4.64			
Medium Hydrocarbons (C10-C21)	58.1	27.8	137, J	< 3.31			
Heavy Hydrocarbons (C21-C40)	199	103	2,150	4.57, J			
HERBICIDES	<i>mg/L-TCLP</i>	<i>mg/L-TCLP</i>	<i>mg/L-TCLP</i>	<i>mg/L-TCLP</i>	<i>mg/kg</i>	<i>mg/kg</i>	<i>mg/kg</i>
2,4,D	< 0.250	< 0.250	< 0.250	< 0.250			
2,4,5-TP (Silvex)	< 0.250	< 0.250	< 0.250	< 0.250			
PESTICIDES AND PCBs	<i>mg/L-TCLP</i>	<i>mg/L-TCLP</i>	<i>mg/L-TCLP</i>	<i>mg/L-TCLP</i>	<i>mg/kg</i>	<i>mg/kg</i>	<i>mg/kg</i>
alpha-BHC					< 2.130	< 0.224	< 1.29
beta-BHC					< 2.130	< 0.224	< 1.29
delta-BHC					< 2.130	< 0.224	< 1.29
gamma-BHC (Lindane)					< 2.130	< 0.224	< 1.29
Heptachlor	< 0.002	< 0.002	< 0.002	< 0.002	< 2,130	< 0.224	< 1.29
Aldrin					< 2,130	< 0.224	< 1.29
Heptachlor Epoxide	< 0.002	< 0.002	< 0.002	< 0.002	< 2,130	< 0.224	< 1.29
Endosulfan I					< 2,130	< 0.224	< 1.29
Dieldrin					< 4,250	< 0.448	< 2.58
4,4'-DDE					< 4,250	< 0.448	< 2.58
Endrin	< 0.002	< 0.002	< 0.002	< 0.002	< 4,250	< 0.448	< 2.58
Endosulfan II					< 4,250	< 0.448	< 2.58
4,4'-DDD					15.600	< 0.448	< 2.58
Endosulfan sulfate					< 4,250	< 0.448	< 2.58
4,4'-DDT					50.600	2.03	21.0
Methoxychlor					< 21,300	< 2.24	< 12.9
Endrin ketone					< 4,250	< 0.448	< 2.58
Endrin aldehyde					< 4,250	< 0.448	< 2.58
Chlordane							
alpha-Chlordane	< 0.002	< 0.002	< 0.002	< 0.002	< 2,130	< 0.224	< 1.29
gamma-Chlordane	< 0.002	< 0.002	< 0.002	< 0.002	< 2,130	< 0.224	< 1.29
Toxaphene	< 0.04	< 0.04	< 0.04	< 0.04	< 213,000	< 22.4	< 129
Aroclor-1016					< 42,500	< 4.48	< 25.8
Aroclor-1221					< 85,000	< 8.97	< 51.5
Aroclor-1232					< 42,500	< 4.48	< 25.8

SAMPLE DATE	2/17/94	2/17/94	2/17/94	2/17/94	2/25/94	2/25/94	2/25/94
SAMPLE ID	CLJ-DS-07	CLJ-DS-07D	CLJ-DS-08	CLJ-DS-09	C6617	C6618	C6619
Aroclor-1242					< 42.500	< 4.48	< 25.8
Aroclor-1248					< 42.500	< 4.48	< 25.8
Aroclor-1254					< 42.500	< 4.48	< 25.8
Aroclor-1260					< 42.500	< 4.48	< 25.8
INORGANIC METALS	<i>mg/L-TCLP</i>	<i>mg/L-TCLP</i>	<i>mg/L-TCLP</i>	<i>mg/L-TCLP</i>	<i>mg/kg</i>	<i>mg/kg</i>	<i>mg/kg</i>
Aluminum					2400. E	339. E	947. E
Antimony					< 0.943, N	< 1.75, N	< 1.1, N
Arsenic	< 0.0014	< 0.0014	< 0.0014	< 0.0014	16.25, N, *	0.655, B, N, *	< 0.317, N, *
Barium	1.46	1.55	1.1	0.212	274	30.2	7.44
Beryllium					0.135	0.067, B	< 0.018
Boron							
Cadmium	< 0.0011	0.0023, B	< 0.0011	< 0.001	1.89, N	< 0.065, N	0.803, N
Calcium					19500. E	322, E	158, B, E
Chromium	< 0.0042	< 0.0042	< 0.0042	< 0.0042	67.7, E	0.957, E	24.9, E
Cobalt					17.2, E	0.396, B, E	0.279, B, E
Copper					34.5	2.4, B	9.25
Iron					10700	810	3550
Lead	< 0.002	0.0024, B	< 0.002	0.0021, B	4190, E	14.6, E	67.4, E
Magnesium					2680, E	140, E	24.7, B, E
Manganese					95.9	7.45	61.5
Mercury	< 0.00014	< 0.00014	< 0.00014	< 0.00014	< 0.047	< 0.052	< 0.049
Molybdenum							
Nickel					33.9, E	1.1, B, E	1.4, B, E
Potassium					87	< 87.4	< 54.9
Selenium	0.0013, B	0.0019, B	0.0026, B	0.0016, B	0.118, B, N	< 1.15, N	< 0.175, N
Silver	< 0.008	< 0.008	< 0.008	< 0.008	< 0.184	< 0.34	< 0.214
Sodium					3860	26100	91.8, B
Strontium							
Thallium					< 0.211	< 0.211	< 0.317
Vanadium					2.93	0.751, B	0.623, B
Zinc					1930, E	35.5, E	7260, E
Cyanide							
SEMIVOLATILE ORGANICS	<i>mg/L-TCLP</i>	<i>mg/L-TCLP</i>	<i>mg/L-TCLP</i>	<i>mg/L-TCLP</i>	<i>mg/kg</i>	<i>mg/kg</i>	<i>mg/kg</i>
Phenol					< 327	< 1.92	< 331
bis (2-Chloroethyl) ether					< 327	< 1.92	< 331
2-Chlorophenol					< 327	< 1.92	< 331
1,3 - Dichlorobenzene					< 327	< 1.92	< 331
1,4 - Dichlorobenzene					< 327	< 1.92	< 331
1,2 - Dichlorobenzene					< 327	< 1.92	< 331
2 - Methylphenol	< 0.100	< 0.100	< 0.100	< 0.100	< 327	< 1.92	< 331
2, 2' - oxybis (1-Chloropropane)					< 327	< 1.92	< 331
4 - Methylphenol	< 0.100	< 0.100	< 0.100	< 0.100	< 327	< 1.92	< 331
N - Nitroso-di-n-propylamine					< 327	< 1.92	< 331
Hexachloroethane	< 0.100	< 0.100	< 0.100	< 0.100	< 327	< 1.92	< 331
Nitrobenzene	< 0.100	< 0.100	< 0.100	< 0.100	< 327	< 1.92	< 331
Isophorone					< 327	< 1.92	< 331
2 - Nitrophenol					< 327	< 1.92	< 331
2,4 - Dimethylphenol					< 327	< 1.92	< 331
bis (2-Chloroethoxy) methane					< 327	< 1.92	< 331
2,4 - Dichlorophenol					< 327	< 1.92	< 331
1,2,4 - Trichlorobenzene					< 327	< 1.92	< 331
Naphthalene					< 327	< 1.92	< 331
4-Chloroaniline					< 327	< 1.92	< 331
Hexachlorobutadiene	< 0.100	< 0.100	< 0.100	< 0.100	< 327	< 1.92	< 331
4 - Chloro - 3 - methylphenol					< 327	< 1.92	< 331
2 - Methylnaphthalene					< 327	< 1.92	< 331
Hexachlorocyclopentadiene					< 327	< 1.92	< 331

SAMPLE DATE	2/17/94	2/17/94	2/17/94	2/17/94	2/25/94	2/25/94	2/25/94
SAMPLE ID	CLJ-DS-07	CLJ-DS-07D	CLJ-DS-08	CLJ-DS-09	C6617	C6618	C6619
2,4,6 - Trichlorophenol	< 0.100	< 0.100	< 0.100	< 0.100	< 327	< 1.92	< 331
2,4,5 - Trichlorophenol	< 0.100	< 0.100	< 0.100	< 0.100	< 327	< 1.92	< 331
2 - Chloronaphthalene					< 327	< 1.92	< 331
2 - Nitroaniline					< 327	< 1.92	< 331
Dimethylphthalate					< 327	< 1.92	< 331
Acenaphthylene					< 327	< 1.92	< 331
2,6 - Dinitrotoluene					< 327	< 1.92	< 331
3 - Nitroaniline					< 327	< 1.92	< 331
Acenaphthene					< 327	< 1.92	< 331
2,4 - Dinitrophenol					< 1,630	< 9.58	< 1,660
4 - Nitrophenol					< 1,630	< 9.58	< 1,660
Dibenzofuran					< 327	< 1.92	< 331
2, 4 - Dinitrotoluene	< 0.100	< 0.100	< 0.100	< 0.100	< 327	< 1.92	< 331
Diethylphthalate					< 327	< 1.92	< 331
4 - Chlorophenyl-phenylether					< 327	< 1.92	< 331
Fluorene					< 327	< 1.92	< 331
4 - Nitroaniline					< 327	< 1.92	< 331
4,6 - Dinitro-2-methylphenol					< 327	< 1.92	< 331
N - Nitrosodiphenylamine (1)					< 327	< 1.92	< 331
4 - Bromophenyl-phenylether					< 327	< 1.92	< 331
Hexachlorobenzene	< 0.100	< 0.100	< 0.100	< 0.100	< 327	< 1.92	< 331
Pentachlorophenol	< 0.100	< 0.100	< 0.100	< 0.100	< 327	< 1.92	< 331
Phenanthrene					< 327	< 1.92	< 331
Anthracene					< 327	< 1.92	< 331
Carbazole					< 327	< 1.92	< 331
Di-n-butylphthalate					< 327	< 1.92	< 331
Fluoranthene					< 327	< 1.92	< 331
Pyrene					< 327	< 1.92	< 331
Butylbenzylphthalate					< 327	< 1.92	< 331
3,3' - Dichlorobenzidine					< 327	< 1.92	< 331
Benzo (a) anthracene					< 327	< 1.92	< 331
Chrysene					< 327	< 1.92	< 331
bis (2-Ethylhexyl) phthalate					< 327	< 1.92	< 331
Di-n-octylphthalate					< 327	< 1.92	< 331
Benzo (b) fluoranthene					< 327	< 1.92	< 331
Benzo (k) fluoranthene					< 327	< 1.92	< 331
Benzo (a) pyrene					< 327	< 1.92	< 331
Indeno (1,2,3 - cd) pyrene					< 327	< 1.92	< 331
Dibenz (a,h) anthracene					< 327	< 1.92	< 331
Benzo (g,h,i) perylene					< 327	< 1.92	< 331
Pyridine	< 0.100	< 0.100	< 0.100	< 0.100	< 327	< 1.92	< 331
Methoxychlor	< 0.100	< 0.100	< 0.100	< 0.100	< 327	< 1.92	< 331
gamma-BHC (Lindane)	< 0.100	< 0.100	< 0.100	< 0.100	< 327	< 1.92	< 331
4,6 - Dinitro-o-cresol					< 817	< 4.79	< 828
Total Cresols							
Benzoic Acid							
(1) - Cannot be separated from Diphenylamine							
VOLATILE ORGANICS	<i>mg/L-TCLP</i>	<i>mg/L-TCLP</i>	<i>mg/L-TCLP</i>	<i>mg/L-TCLP</i>	<i>mg/kg</i>	<i>mg/kg</i>	<i>mg/kg</i>
Chloromethane					< 15	< 0.0111	12.9
Bromomethane					< 15	< 0.0111	< 0.768
Vinyl Chloride	< 0.125	< 0.125	< 0.125	< 0.125	< 15	< 0.0111	< 0.768
Chloroethane					< 15	< 0.0111	< 0.768
Methylene Chloride					< 15	0.00442, B, J	0.416, J
Acetone					8.180, J	0.119, B	2.72
Carbon Disulfide					< 15	< 0.0111	< 0.768
1,1 - Dichloroethene	< 0.125	< 0.125	< 0.125	< 0.125	< 15	< 0.0111	< 0.768
1,1 - Dichloroethane					< 15	< 0.0111	< 0.768

SAMPLE DATE	2/17/94	2/17/94	2/17/94	2/17/94	2/25/94	2/25/94	2/25/94
SAMPLE ID	CLJ-DS-07	CLJ-DS-07D	CLJ-DS-08	CLJ-DS-09	C6617	C6618	C6619
1,2 - Dichloroethene (total)					< 15	< 0.0111	< 0.768
Chloroform	< 0.125	< 0.125	< 0.125	< 0.125	< 15	< 0.0111	17.5
1,2 - Dichloroethane	< 0.125	< 0.125	< 0.125	< 0.125	< 15	< 0.0111	< 0.768
2 - Butanone	< 0.250	< 0.250	< 0.250	< 0.250	< 30	< 0.0221	< 1.54
1,1,1 - Trichloroethane					8,240, J	< 0.0111	< 0.768
Carbon Tetrachloride	< 0.125	< 0.125	< 0.125	< 0.125	< 15	< 0.0111	6.27
Bromodichloromethane					< 15	< 0.0111	< 0.768
1,2 - Dichloropropane					< 15	< 0.0111	< 0.768
cis-1,3 - Dichloropropene					< 15	< 0.0111	< 0.768
Trichloroethene	< 0.125	< 0.125	< 0.125	< 0.125	< 15	< 0.0111	< 0.768
Dibromochloromethane					< 15	< 0.0111	< 0.768
1,1,2 - Trichloroethane					< 15	< 0.0111	< 0.768
Benzene	< 0.125	< 0.125	< 0.125	< 0.125	< 15	< 0.0111	< 0.768
trans - 1,3 - Dichloropropene					< 15	< 0.0111	< 0.768
Bromoform					< 15	< 0.0111	< 0.768
4 - Methyl - 2 - Pentanone					< 30	< 0.0221	< 1.54
2 - Hexanone					< 15	< 0.0111	< 0.768
Tetrachloroethene	< 0.125	< 0.125	< 0.125	< 0.125	< 15	< 0.0111	0.286, J
1,1,2,2 - Tetrachloroethane					< 15	< 0.0111	< 0.768
Toluene					3,840, J	< 0.0111	0.206, J
Chlorobenzene	< 0.125	< 0.125	< 0.125	< 0.125	5,760, J	< 0.0111	< 0.768
Ethylbenzene					27.9	< 0.0111	0.966
Styrene					< 15	< 0.0111	< 0.768
Xylene (total)					255	< 0.0111	5.52
1,4 - Dichlorobenzene	< 0.125	< 0.125	< 0.125	< 0.125			
1,2 - trans-Dichloroethene							
m - p - Xylenes							
Methyl Ethyl Ketone							
Methyl-iso-butyl ketone							

**TABLE (Contd.)
WASTE CHARACTERIZATION ANALYSIS SUMMARY**

SAMPLE DATE	2/25/94	2/25/94	2/25/94	2/25/94	2/25/94	2/25/94	3/3/94
SAMPLE ID	C6620	C6621	C6622	CLJ-DG-01	CLJ-DB-01	CLJ-DP-01	CLJ-DS-10
CONVENTIONAL PARAMETERS	mg/kg	mg/kg	mg/kg	mg/kg	mg/kg	mg/kg	mg/kg
Reactive Cyanide					< 10.0	< 10.0	< 10.0
Reactive Sulfide					< 10.0	< 10.0	< 10.0
Flashpoint, 60 (deg C)	> 60	> 60	> 60		> 60	> 60	> 60
pH (Electrode)	2.75	7.31	6.57		7.04	7.86	4.68
BTU (BTU/lb)	1470	10600	< 200	17,500			
Density (g/cc)	0.942	0.893	0.912	0.958			
% Moisture							
Paint Filter Test							
Chloride	13.6	94.4	35.5	5.00, B			
Nitrate as N	1.25, B	28.6	6.25, B	2.50, B			
Phosphate as P	1.91	32.6, B	8.15, B	< 3.26			
Sulfate	5.00, B	261	44	15.0			
Sulfide, as S							
Free Chlorine (mg/L)							
Oil and Grease							
Total Suspended Solids							
Total Dissolved Solids							
PETROLEUM HYDROCARBONS	<i>mg/kg</i>	<i>mg/kg</i>	<i>mg/kg</i>	<i>mg/kg</i>	<i>mg/kg</i>	<i>mg/kg</i>	<i>mg/kg</i>
Light Hydrocarbons (C2-C10)					< 4.22	< 4.64	< 4.46
Medium Hydrocarbons (C10-C21)					213.000	674	77.2
Heavy Hydrocarbons (C21-C40)					6,970.000	2,150	382
HERBICIDES	<i>mg/kg</i>	<i>mg/kg</i>	<i>mg/kg</i>	<i>mg/kg</i>	<i>mg/L-TCLP</i>	<i>mg/L-TCLP</i>	<i>mg/L-TCLP</i>
2,4,D					< 0.250	< 0.250	< 0.250
2,4,5-TP (Silvex)					< 0.250	< 0.250	< 0.250
PESTICIDES AND PCBs	<i>mg/kg</i>	<i>mg/kg</i>	<i>mg/L-TCLP</i>	<i>mg/kg</i>	<i>mg/L-TCLP</i>	<i>mg/L-TCLP</i>	<i>mg/L-TCLP</i>
alpha-BHC	< 106	< 0.613	< 0.005	< 0.225			
beta-BHC	< 106	< 0.613	< 0.005	< 0.225			
delta-BHC	< 106	< 0.613	< 0.005	< 0.225			
gamma-BHC (Lindane)	< 106	< 0.613	< 0.005	< 0.225			
Heptachlor	< 106	< 0.613	< 0.005	< 0.225	<0.002	<0.002	< 0.002
Aldrin	< 106	< 0.613	< 0.005	< 0.225			
Heptachlor Epoxide	< 106	< 0.613	< 0.005	< 0.225			< 0.002
Endosulfan I	< 106	< 0.613	< 0.005	< 0.225			
Dieldrin	< 212	< 1.23	< 0.010	< 0.225			
4,4'-DDE	< 212	< 1.23	< 0.010	< 0.225			
Endrin	< 212	< 1.23	< 0.010	< 0.225	<0.002	<0.002	< 0.002
Endosulfan II	< 212	< 1.23	< 0.010	< 0.225			
4,4'-DDD	< 212	< 1.23	< 0.010	< 0.225			
Endosulfan sulfate	< 212	< 1.23	< 0.010	< 0.225			
4,4'-DDT	1,940	7.52	< 0.010	< 0.225			
Methoxychlor	<1,060	< 6.13	< 0.050	< 0.225			
Endrin ketone	< 212	< 1.23	< 0.010	< 0.225			
Endrin aldehyde	< 212	< 1.23	< 0.010	< 0.225			
Chlordane							
alpha-Chlordane	< 106	< 0.613	< 0.005	< 0.225	<0.002	<0.002	< 0.002
gamma-Chlordane	< 106	< 0.613	< 0.005	< 0.225	<0.002	<0.002	< 0.002
Toxaphene	< 10,600	< 61.3	< 0.500	< 5.11	< 0.04	< 0.04	< 0.04
Aroclor-1016	< 2,120	< 12.3	< 0.100	< 2.55			
Aroclor-1221	< 4,240	< 24.5	< 0.200	< 2.55			
Aroclor-1232	< 2,120	< 12.3	< 0.100	< 2.55			

SAMPLE DATE	2/25/94	2/25/94	2/25/94	2/25/94	2/25/94	2/25/94	3/3/94
SAMPLE ID	C6620	C6621	C6622	CLJ-DG-01	CLJ-DB-01	CLJ-DP-01	CLJ-DS-10
Aroclor-1242	< 2.120	< 12.3	< 0.100	< 2.55			
Aroclor-1248	< 2.120	< 12.3	< 0.100	< 2.55			
Aroclor-1254	< 2.120	< 12.3	< 0.100	< 2.55			
Aroclor-1260	< 2.120	< 12.3	< 0.100				
INORGANIC METALS	<i>mg/kg</i>	<i>mg/kg</i>	<i>mg/L-TCLP</i>	<i>mg/kg</i>	<i>mg/L-TCLP</i>	<i>mg/L-TCLP</i>	<i>mg/L-TCLP</i>
Aluminum	350, E	166	< 0.295, E, N	285			
Antimony	< 1.83, N	1.08, B, N	1.66	< 0.661			
Arsenic	0.937, B, N, *	0.947	< 0.010	< 0.611	< 0.0014	0.0134	< 0.001, W
Barium	12.5, B	11.6	0.409	32.7	0.564	0.775	0.379
Beryllium	< 0.031	0.018, B	< 0.0025	0.064, B			
Boron							
Cadmium	0.781, N	0.621	0.505	< 0.027	0.0674	0.789	0.0058
Calcium	162, B, E	222	35.5, N	118			
Chromium	10.1, E	1.74	< 0.0295	1.73	0.0109	0.106	0.0069, B
Cobalt	< 0.227, E	< 0.093	5.6	0.463, B			
Copper	8.54, B	2.35	0.241	4.58			
Iron	18900	15100	5.75, E	5,200			
Lead	115, E	26.9	91.5	50.7	0.281	0.897	0.0385, W
Magnesium	20.5, B, E	15.5	15.3	19.7, B			
Manganese	51.1	40.5, N	8.0, E	14.7			
Mercury	0.04, B	< 0.05, N	< 0.0014	< 0.14	0.000218	< 0.00014	< 0.00014
Molybdenum							
Nickel	1.79, B, E	1.04	3.48	3			
Potassium	< 91.6	< 37.4	9.3	57.2			
Selenium	< 0.209, N	< 0.982	0.0113, B, W	1.16, B	< 0.0013, W	< 0.0013, W	< 0.0013, W
Silver	< 0.356	< 0.146, N	< 0.029	< 0.198	< 0.008	0.0209	< 0.008
Sodium	27.2, B	222, E	9.8	636			
Strontium							
Thallium	< 0.38	1.35, N	< 0.010, W	< 0.557			
Vanadium	< 0.258	0.714	< 0.021	1.27, B			
Zinc	2690, E	22.6, E	268	5.77			
Cyanide							
SEMIVOLATILE ORGANICS	<i>mg/kg</i>	<i>mg/kg</i>	<i>mg/L-TCLP</i>	<i>mg/kg</i>	<i>mg/L-TCLP</i>	<i>mg/L-TCLP</i>	<i>mg/L-TCLP</i>
Phenol	< 331	991	< 2.00	< 600			
bis (2-Chloroethyl) ether	< 331	< 943	< 2.00	< 600			
2-Chlorophenol	< 331	< 943	< 2.00	< 600			
1,3 - Dichlorobenzene	< 331	< 943	< 2.00	< 600			
1,4 - Dichlorobenzene	< 331	< 943	< 2.00	< 600			
1,2 - Dichlorobenzene	< 331	< 943	< 2.00	< 600			
2 - Methylphenol	< 331	4,160	< 2.00	< 600	< 0.100	< 0.100	< 0.100
2, 2' - oxybis (1-Chloropropane)	< 331	< 943	< 2.00	< 600			
4 - Methylphenol	< 331	< 943	< 2.00	< 600	< 0.100	< 0.100	< 0.100
N - Nitroso-di-n-propylamine	< 331	1,170	< 2.00	< 600			
Hexachloroethane	< 331	< 943	< 2.00	< 600	< 0.100	< 0.100	< 0.100
Nitrobenzene	< 331	< 943	< 2.00	< 600	< 0.100	< 0.100	< 0.100
Isophorone	< 331	< 943	< 2.00	< 600			
2 - Nitrophenol	< 331	< 943	< 2.00	< 600			
2,4 - Dimethylphenol	< 331	< 1,170	< 2.00	< 600			
bis (2-Chloroethoxy) methane	< 331	< 943	< 2.00	< 600			
2,4 - Dichlorophenol	< 331	< 943	< 2.00	< 600			
1,2,4 - Trichlorobenzene	< 331	< 943	< 2.00	< 600			
Naphthalene	< 331	< 943	< 2.00	< 600			
4-Chloroaniline	< 331	< 943	< 2.00	< 600			
Hexachlorobutadiene	< 331	< 943	< 2.00	< 600	< 0.100	< 0.100	< 0.100
4 - Chloro - 3 -methylphenol	< 331	< 943	< 2.00	< 600			
2 - Methylnaphthalene	< 331	2,190	< 2.00	< 600			
Hexachlorocyclopentadiene	< 331	< 943	< 2.00	< 600			

SAMPLE DATE	2/25/94	2/25/94	2/25/94	2/25/94	2/25/94	2/25/94	3/3/94
SAMPLE ID	C6620	C6621	C6622	CLJ-DG-01	CLJ-DB-01	CLJ-DP-01	CLJ-DS-10
2,4,6 - Trichlorophenol	< 331	< 943	< 2.00	< 600	< 0.100	< 0.100	< 0.100
2,4,5 - Trichlorophenol	< 331	< 943	< 2.00	< 600	< 0.100	< 0.100	< 0.100
2 - Chloronaphthalene	< 331	< 943	< 2.00	< 600			
2 - Nitroaniline	< 331	< 943	< 2.00	< 600			
Dimethylphthalate	< 331	< 943	< 2.00	< 600			
Acenaphthylene	< 331	< 943	< 2.00	< 600			
2,6 - Dinitrotoluene	< 331	< 943	< 2.00	< 600			
3 - Nitroaniline	< 331	< 943	< 2.00	< 600			
Acenaphthene	< 331	< 943	< 2.00	< 600			
2,4 - Dinitrophenol	< 1,660	< 4,720	< 10.0	< 3,000			
4 - Nitrophenol	< 1,660	< 4,720	< 10.0	< 3,000			
Dibenzofuran	< 331	< 943	< 2.00	< 600			
2, 4 - Dinitrotoluene	< 331	< 943	< 2.00	< 600	< 0.100	< 0.100	< 0.100
Diethylphthalate	< 331	< 943	< 2.00	< 600			
4 - Chlorophenyl-phenylether	< 331	< 943	< 2.00	< 600			
Fluorene	< 331	< 943	< 2.00	< 600			
4 - Nitroaniline	< 331	< 943	< 2.00	< 600			
4,6 - Dinitro-2-methylphenol	< 331	< 943	< 2.00	< 600			
N - Nitrosodiphenylamine (1)	< 331	< 943	< 2.00	< 600			
4 - Bromophenyl-phenylether	< 331	< 943	< 2.00	< 600			
Hexachlorobenzene	< 331	< 943	< 2.00	< 600	< 0.100	< 0.100	< 0.100
Pentachlorophenol	< 331	< 943	< 2.00	< 600	< 0.100	< 0.100	< 0.100
Phenanthrene	< 331	< 943	< 2.00	< 600			
Anthracene	< 331	< 943	< 2.00	< 600			
Carbazole	< 331	< 943	< 2.00	< 600			
Di-n-butylphthalate	< 331	< 943	< 2.00	< 600			
Fluoranthene	< 331	< 943	< 2.00	< 600			
Pyrene	< 331	< 943	< 2.00	< 600			
Butylbenzylphthalate	< 331	< 943	< 2.00	< 600			
3,3' - Dichlorobenzidine	< 331	< 943	< 2.00	< 600			
Benzo (a) anthracene	< 331	< 943	< 2.00	< 600			
Chrysene	< 331	< 943	< 2.00	< 600			
bis (2-Ethylhexyl) phthalate	< 331	< 943	< 2.00	< 600			
Di-n-octylphthalate	< 331	< 943	< 2.00	< 600			
Benzo (b) fluoranthene	< 331	< 943	< 2.00	< 600			
Benzo (k) fluoranthene	< 331	< 943	< 2.00	< 600			
Benzo (a) pyrene	< 331	< 943	< 2.00	< 600			
Indeno (1,2,3 - cd) pyrene	< 331	< 943	< 2.00	< 600			
Dibenz (a,h) anthracene	< 331	< 943	< 2.00	< 600			
Benzo (g,h,i) perylene	< 331	< 943	< 2.00	< 600			
Pyridine	< 331	< 943	< 2.00		< 0.100	< 0.100	< 0.100
Methoxychlor	< 331	< 943	< 2.00		< 0.100	< 0.100	< 0.100
gamma-BHC (Lindane)	< 331	< 943	< 2.00		< 0.100	< 0.100	< 0.100
4,6 - Dinitro-o-cresol	< 828	< 2,360	< 5.00				
Total Cresols							
Benzoic Acid							
(1) - Cannot be separated from Diphenylamine							
VOLATILE ORGANICS	<i>mg/kg</i>	<i>mg/kg</i>	<i>mg/L-TCLP</i>	<i>mg/kg</i>	<i>mg/L-TCLP</i>	<i>mg/L-TCLP</i>	<i>mg/L-TCLP</i>
Chloromethane	< 0.125	< 12.0	< 0.005	< 0.625			
Bromomethane	< 0.125	< 12.0	< 0.005	< 0.195			
Vinyl Chloride	< 0.125	< 12.0	< 0.005	< 0.625	< 0.125	< 0.125	< 0.125
Chloroethane	< 0.125	< 12.0	< 0.005	< 0.625			
Methylene Chloride	0.0792, B, J	2.52	0.0318	< 0.625			
Acetone	1.34, B	< 12.0	0.208	< 0.625			
Carbon Disulfide	< 0.125	< 12.0	< 0.005	< 0.625			
1,1 - Dichloroethene	< 0.125	< 12.0	< 0.005	< 0.625	< 0.125	< 0.125	< 0.125
1,1 - Dichloroethane	< 0.125	< 12.0	< 0.005	< 0.625			

SAMPLE DATE	2/25/94	2/25/94	2/25/94	2/25/94	2/25/94	2/25/94	3/3/94
SAMPLE ID	C6620	C6621	C6622	CLJ-DG-01	CLJ-DB-01	CLJ-DP-01	CLJ-DS-10
1,2 - Dichloroethene (total)	< 0.125	< 12.0	<0.005	< 0.625			
Chloroform	0.654	< 12.0	<0.005	< 0.625	< 0.125	< 0.125	< 0.125
1,2 - Dichloroethane	< 0.125	< 12.0	<0.005	< 0.625	< 0.125	< 0.125	< 0.125
2 - Butanone	< 0.125	24.0	0.0851	< 1.25	< 0.250	< 0.250	< 0.250
1,1,1 - Trichloroethane	< 0.125	< 12.0	<0.005	< 0.625			
Carbon Tetrachloride	0.216	< 12.0	<0.005	< 0.625	< 0.125	< 0.125	< 0.125
Bromodichloromethane	< 0.125	< 12.0	<0.005	< 0.625			
1,2 - Dichloropropane	< 0.125	< 12.0	<0.005	< 0.625			
cis-1,3 - Dichloropropene	< 0.125	< 12.0	<0.005	< 0.625			
Trichloroethene	< 0.125	< 12.0	<0.005	< 0.625	< 0.125	< 0.125	< 0.125
Dibromochloromethane	< 0.125	< 12.0	<0.005	< 0.625			
1,1,2 - Trichloroethane	< 0.125	< 12.0	<0.005	< 0.625			
Benzene	< 0.125	< 12.0	0.001162, B, J	< 0.625	< 0.125	< 0.125	< 0.125
trans - 1,3 - Dichloropropene	< 0.125	< 12.0	<0.005	< 0.625			
Bromoform	< 0.125	< 12.0	<0.005	< 0.625			
4 - Methyl - 2- Pentanone	< 0.125	24.0	< 0.010	< 1.25			
2 - Hexanone	< 0.125	< 12.0	<0.005	< 0.625			
Tetrachloroethene	0.0670, J	< 12.0	<0.005	< 0.625	< 0.125	< 0.125	< 0.125
1,1,2,2 - Tetrachloroethane	< 0.125	< 12.0	<0.005	< 0.625			
Toluene	0.0645, J	1.66, J	0.00405, J	< 0.625			
Chlorobenzene	0.198	< 12.0	<0.005	< 0.625	< 0.125	< 0.125	< 0.125
Ethylbenzene	0.0585, J	5.91	0.00729	< 0.625			
Styrene	< 0.125	< 12.0	<0.005	< 0.625			
Xylene (total)	0.228	83.7	0.159	< 0.625			
1,4 - Dichlorobenzene					< 0.125	< 0.125	< 0.125
1,2 - trans-Dichloroethene							
m - p - Xylenes							
Methyl Ethyl Ketone							
Methyl-iso-butyl ketone							

**TABLE (Contd.)
WASTE CHARACTERIZATION ANALYSIS SUMMARY**

SAMPLE DATE	3/3/94	3/3/94	5/10/94	5/10/94	5/10/94	7/18/94
SAMPLE ID	CLJ-DS-11	CLJ-DS-11D	CLJ-DWS-15	CLJ-DWS-145	CLJ-DWS-146	C6627
CONVENTIONAL PARAMETERS	<i>mg/kg</i>	<i>mg/kg</i>	<i>mg/kg</i>	<i>mg/kg</i>	<i>mg/kg</i>	<i>mg/kg</i>
Reactive Cyanide	< 10.0	< 10.0				
Reactive Sulfide	< 10.0	< 10.0				
Flashpoint, 60 (deg C)	> 60	> 60				
pH (Electrode)	4.5	4.49				
BTU (BTU/lb)						
Density (g/cc)						
% Moisture						
Paint Filter Test						
Chloride						
Nitrate as N						
Phosphate as P						
Sulfate						
Sulfide, as S						
Free Chlorine (mg/L)			< 5.00	< 5.00	< 5.00	
Oil and Grease						
Total Suspended Solids						
Total Dissolved Solids						
PETROLEUM HYDROCARBONS	<i>mg/kg</i>	<i>mg/kg</i>	<i>mg/kg</i>	<i>mg/kg</i>	<i>mg/kg</i>	<i>mg/kg</i>
Light Hydrocarbons (C2-C10)	< 4.22	< 4.73				
Medium Hydrocarbons (C10-C21)	33.2	10.5, J				
Heavy Hydrocarbons (C21-C40)	717	131				
HERBICIDES	<i>mg/L-TCLP</i>	<i>mg/L-TCLP</i>	<i>mg/kg</i>	<i>mg/kg</i>	<i>mg/kg</i>	<i>mg/kg</i>
2,4,D	< 0.250	< 0.250				
2,4,5-TP (Silvex)	< 0.250	< 0.250				
PESTICIDES AND PCBs	<i>mg/L-TCLP</i>	<i>mg/L-TCLP</i>	<i>mg/kg</i>	<i>mg/kg</i>	<i>mg/kg</i>	<i>mg/kg</i>
alpha-BHC						< 3,320
beta-BHC						< 3,320
delta-BHC						< 3,320
gamma-BHC (Lindane)						< 3,320
Heptachlor	< 0.002	< 0.002				< 3,320
Aldrin						< 3,320
Heptachlor Epoxide	< 0.002	< 0.002				< 3,320
Endosulfan I						< 3,320
Dieldrin						< 3,320
4,4'-DDE						< 3,320
Endrin	< 0.002	< 0.002				< 3,320
Endosulfan II						< 3,320
4,4'-DDD						< 3,320
Endosulfan sulfate						< 3,320
4,4'-DDT						32,200
Methoxychlor						< 3,320
Endrin ketone						< 3,320
Endrin aldehyde						< 3,320
Chlordane						< 16,600
alpha-Chlordane	< 0.002	< 0.002				
gamma-Chlordane	< 0.002	< 0.002				
Toxaphene	< 0.04	< 0.04				< 66,400
Aroclor-1016						
Aroclor-1221						
Aroclor-1232						

SAMPLE DATE	3/3/94	3/3/94	5/10/94	5/10/94	5/10/94	7/18/94
SAMPLE ID	CLJ-DS-11	CLJ-DS-11D	CLJ-DWS-15	CLJ-DWS-145	CLJ-DWS-146	C6627
Aroclor-1242						
Aroclor-1248						
Aroclor-1254						
Aroclor-1260						
INORGANIC METALS	<i>mg/L-TCLP</i>	<i>mg/L-TCLP</i>	<i>mg/kg</i>	<i>mg/kg</i>	<i>mg/kg</i>	<i>mg/kg</i>
Aluminum						
Antimony						
Arsenic	< 0.001, W	< 0.001, W				
Barium	0.304	0.104				
Beryllium						
Boron						
Cadmium	0.0212	0.0094				
Calcium						
Chromium	<0.0042	<0.0042				
Cobalt						
Copper						
Iron						
Lead	1.68	0.648				
Magnesium						
Manganese						
Mercury	< 0.00014	< 0.00014				
Molybdenum						
Nickel						
Potassium						
Selenium	< 0.0013, W	< 0.0013, W				
Silver	< 0.008	< 0.008				
Sodium						
Strontium						
Thallium						
Vanadium						
Zinc						
Cyanide						
SEMIVOLATILE ORGANICS	<i>mg/L-TCLP</i>	<i>mg/L-TCLP</i>	<i>mg/kg</i>	<i>mg/kg</i>	<i>mg/kg</i>	<i>mg/kg</i>
Phenol						
bis (2-Chloroethyl) ether						
2-Chlorophenol						
1,3 - Dichlorobenzene						
1,4 - Dichlorobenzene						
1,2 - Dichlorobenzene						
2 - Methylphenol	< 0.100	< 0.100				
2, 2' - oxybis (1-Chloropropane)						
4 - Methylphenol	< 0.100	< 0.100				
N - Nitroso-di-n-propylamine						
Hexachloroethane	< 0.100	< 0.100				
Nitrobenzene	< 0.100	< 0.100				
Isophorone						
2 - Nitrophenol						
2,4 - Dimethylphenol						
bis (2-Chloroethoxy) methane						
2,4 - Dichlorophenol						
1,2,4 - Trichlorobenzene						
Naphthalene						
4-Chloroaniline						
Hexachlorobutadiene	< 0.100	< 0.100				
4 - Chloro - 3 -methylphenol						
2 - Methylnaphthalene						
Hexachlorocyclopentadiene						

SAMPLE DATE	3/3/94	3/3/94	5/10/94	5/10/94	5/10/94	7/18/94
SAMPLE ID	CLJ-DS-11	CLJ-DS-11D	CLJ-DWS-15	CLJ-DWS-145	CLJ-DWS-146	C6627
2,4,6 - Trichlorophenol	< 0.100	< 0.100				
2,4,5 - Trichlorophenol	< 0.100	< 0.100				
2 - Chloronaphthalene						
2 - Nitroaniline						
Dimethylphthalate						
Acenaphthylene						
2,6 - Dinitrotoluene						
3 - Nitroaniline						
Acenaphthene						
2,4 - Dinitrophenol						
4 - Nitrophenol						
Dibenzofuran						
2, 4 - Dinitrotoluene	< 0.100	< 0.100				
Diethylphthalate						
4 - Chlorophenyl-phenylether						
Fluorene						
4 - Nitroaniline						
4,6 - Dinitro-2-methylphenol						
N - Nitrosodiphenylamine (1)						
4 - Bromophenyl-phenylether						
Hexachlorobenzene	< 0.100	< 0.100				
Pentachlorophenol	< 0.100	< 0.100				
Phenanthrene						
Anthracene						
Carbazole						
Di-n-butylphthalate						
Fluoranthene						
Pyrene						
Butylbenzylphthalate						
3,3' - Dichlorobenzidine						
Benzo (a) anthracene						
Chrysene						
bis (2-Ethylhexyl) phthalate						
Di-n-octylphthalate						
Benzo (b) fluoranthene						
Benzo (k) fluoranthene						
Benzo (a) pyrene						
Indeno (1,2,3 - cd) pyrene						
Dibenz (a,h) anthracene						
Benzo (g,h,i) perylene						
Pyridine	< 0.100	< 0.100				
Methoxychlor	< 0.100	< 0.100				
gamma-BHC (Lindane)	< 0.100	< 0.100				
4,6 - Dinitro-o-cresol						
Total Cresols						
Benzoic Acid						
(1) - Cannot be separated from Diphenylamine						
VOLATILE ORGANICS	<i>mg/L-TCLP</i>	<i>mg/L-TCLP</i>	<i>mg/kg</i>	<i>mg/kg</i>	<i>mg/kg</i>	<i>mg/kg</i>
Chloromethane						
Bromomethane						
Vinyl Chloride	< 0.125	< 0.125				
Chloroethane						
Methylene Chloride						
Acetone						
Carbon Disulfide						
1,1 - Dichloroethene	< 0.125	< 0.125				
1,1 - Dichloroethane						

SAMPLE DATE	3/3/94	3/3/94	5/10/94	5/10/94	5/10/94	7/18/94
SAMPLE ID	CLJ-DS-11	CLJ-DS-11D	CLJ-DWS-15	CLJ-DWS-145	CLJ-DWS-146	C6627
1,2 - Dichloroethene (total)						
Chloroform	< 0.125	< 0.125				
1,2 - Dichloroethane	< 0.125	< 0.125				
2 - Butanone	< 0.250	< 0.250				
1,1,1 - Trichloroethane						
Carbon Tetrachloride	< 0.125	< 0.125				
Bromodichloromethane						
1,2 - Dichloropropane						
cis-1,3 - Dichloropropene						
Trichloroethene	< 0.125	< 0.125				
Dibromochloromethane						
1,1,2 - Trichloroethane						
Benzene	< 0.125	< 0.125				
trans - 1,3 - Dichloropropene						
Bromoform						
4 - Methyl - 2- Pentanone						
2 - Hexanone						
Tetrachloroethene	< 0.125	< 0.125				
1,1,2,2 - Tetrachloroethane						
Toluene						
Chlorobenzene	< 0.125	< 0.125				
Ethylbenzene						
Styrene						
Xylene (total)						
1,4 - Dichlorobenzene	< 0.125	< 0.125				
1,2 - trans-Dichloroethene						
m - p - Xylenes						
Methyl Ethyl Ketone						
Methyl-iso-butyl ketone						

**TABLE (Contd.)
WASTE CHARACTERIZATION ANALYSIS SUMMARY**

SAMPLE DATE	8/24/94	8/24/94	8/26/94	8/26/94	8/26/94
SAMPLE ID	CLJ-WCS-001	CLJ-WCS-002	CLJ-WCS-005	CLJ-WCS-006	CLJ-WCS-007
CONVENTIONAL PARAMETERS	mg/kg	mg/kg	mg/kg	mg/kg	mg/kg
Reactive Cyanide					
Reactive Sulfide					
Flashpoint, 60 (deg C)					
pH (Electrode)					
BTU (BTU/lb)					
Density (g/cc)					
% Moisture					
Paint Filter Test					
Chloride					
Nitrate as N					
Phosphate as P					
Sulfate					
Sulfide, as S					
Free Chlorine (mg/L)					
Oil and Grease					
Total Suspended Solids					
Total Dissolved Solids					
PETROLEUM HYDROCARBONS	mg/kg	mg/kg	mg/kg	mg/kg	mg/kg
Light Hydrocarbons (C2-C10)					
Medium Hydrocarbons (C10-C21)					
Heavy Hydrocarbons (C21-C40)					
HERBICIDES	mg/kg	mg/kg	mg/kg	mg/kg	mg/kg
2,4,D					
2,4,5-TP (Silvex)					
PESTICIDES AND PCBs	mg/kg	mg/kg	mg/kg	mg/kg	mg/kg
alpha-BHC	< 0.020	< 0.018	< 0.018	< 0.018	< 0.019
beta-BHC	< 0.020	< 0.018	< 0.018	< 0.018	< 0.019
delta-BHC	< 0.020	< 0.018	< 0.018	< 0.018	< 0.019
gamma-BHC (Lindane)	< 0.020	< 0.018	< 0.018	< 0.018	< 0.019
Heptachlor	< 0.020	< 0.018	< 0.018	< 0.018	< 0.019
Aldrin	< 0.020	< 0.018	< 0.018	< 0.018	< 0.019
Heptachlor Epoxide	< 0.020	< 0.018	< 0.018	< 0.018	< 0.019
Endosulfan I	< 0.020	< 0.018	< 0.018	< 0.018	< 0.019
Dieldrin	< 0.020	0.020	0.048	0.050	0.054
4,4'-DDE	0.173	0.142	0.401	1.08	0.316
Endrin	< 0.020	0.027	0.121	0.185	0.061
Endosulfan II	< 0.020	< 0.018	< 0.018	< 0.018	< 0.019
4,4'-DDD	1.42	1.92	18.0	18.2	21.1
Endosulfan sulfate	< 0.020	< 0.018	< 0.018	< 0.018	< 0.019
4,4'-DDT	2.65	7.46	39.9	32.6	43.0
Methoxychlor	< 0.020	< 0.018	< 0.018	< 0.018	< 0.019
Endrin ketone	< 0.020	< 0.018	< 0.018	< 0.018	< 0.019
Endrin aldehyde	< 0.020	< 0.018	< 0.018	< 0.018	< 0.019
Chlordane					
alpha-Chlordane	< 0.020	< 0.018	0.019	0.028	0.022
gamma-Chlordane	< 0.020	< 0.018	< 0.018	< 0.018	< 0.019
Toxaphene	< 0.396	< 0.362	< 0.360	< 0.363	< 0.381
Aroclor-1016	< 0.198	< 0.181	< 0.180	< 0.181	< 0.190
Aroclor-1221	< 0.198	< 0.181	< 0.180	< 0.181	< 0.190
Aroclor-1232	< 0.198	< 0.181	< 0.180	< 0.181	< 0.190

SAMPLE DATE	8/24/94	8/24/94	8/26/94	8/26/94	8/26/94
SAMPLE ID	CLJ-WCS-001	CLJ-WCS-002	CLJ-WCS-005	CLJ-WCS-006	CLJ-WCS-007
Aroclor-1242	< 0.198	< 0.181	< 0.180	< 0.181	< 0.190
Aroclor-1248	< 0.198	< 0.181	< 0.180	< 0.181	< 0.190
Aroclor-1254	< 0.198	< 0.181	< 0.180	< 0.181	< 0.190
Aroclor-1260	< 0.198	< 0.181	< 0.180	< 0.181	< 0.190
INORGANIC METALS	<i>mg/kg</i>	<i>mg/kg</i>	<i>mg/kg</i>	<i>mg/kg</i>	<i>mg/kg</i>
Aluminum					
Antimony					
Arsenic					
Barium					
Beryllium					
Boron					
Cadmium					
Calcium					
Chromium					
Cobalt					
Copper					
Iron					
Lead					
Magnesium					
Manganese					
Mercury					
Molybdenum					
Nickel					
Potassium					
Selenium					
Silver					
Sodium					
Strontium					
Thallium					
Vanadium					
Zinc					
Cyanide					
SEMIVOLATILE ORGANICS	<i>mg/kg</i>	<i>mg/kg</i>	<i>mg/kg</i>	<i>mg/kg</i>	<i>mg/kg</i>
Phenol					
bis (2-Chloroethyl) ether					
2-Chlorophenol					
1,3 - Dichlorobenzene					
1,4 - Dichlorobenzene					
1,2 - Dichlorobenzene					
2 - Methylphenol					
2, 2' - oxybis (1-Chloropropane)					
4 - Methylphenol					
N - Nitroso-di-n-propylamine					
Hexachloroethane					
Nitrobenzene					
Isophorone					
2 - Nitrophenol					
2,4 - Dimethylphenol					
bis (2-Chloroethoxy) methane					
2,4 - Dichlorophenol					
1,2,4 - Trichlorobenzene					
Naphthalene					
4-Chloroaniline					
Hexachlorobutadiene					
4 - Chloro - 3 - methylphenol					
2 - Methylnaphthalene					
Hexachlorocyclopentadiene					

SAMPLE DATE	8/24/94	8/24/94	8/26/94	8/26/94	8/26/94
SAMPLE ID	CLJ-WCS-001	CLJ-WCS-002	CLJ-WCS-005	CLJ-WCS-006	CLJ-WCS-007
2,4,6 - Trichlorophenol					
2,4,5 - Trichlorophenol					
2 - Chloronaphthalene					
2 - Nitroaniline					
Dimethylphthalate					
Acenaphthylene					
2,6 - Dinitrotoluene					
3 - Nitroaniline					
Acenaphthene					
2,4 - Dinitrophenol					
4 - Nitrophenol					
Dibenzofuran					
2, 4 - Dinitrotoluene					
Diethylphthalate					
4 - Chlorophenyl-phenylether					
Fluorene					
4 - Nitroaniline					
4,6 - Dinitro-2-methylphenol					
N - Nitrosodiphenylamine (1)					
4 - Bromophenyl-phenylether					
Hexachlorobenzene					
Pentachlorophenol					
Phenanthrene					
Anthracene					
Carbazole					
Di-n-butylphthalate					
Fluoranthene					
Pyrene					
Butylbenzylphthalate					
3,3' - Dichlorobenzidine					
Benzo (a) anthracene					
Chrysene					
bis (2-Ethylhexyl) phthalate					
Di-n-octylphthalate					
Benzo (b) fluoranthene					
Benzo (k) fluoranthene					
Benzo (a) pyrene					
Indeno (1,2,3 - cd) pyrene					
Dibenz (a,h) anthracene					
Benzo (g,h,i) perylene					
Pyridine					
Methoxychlor					
gamma-BHC (Lindane)					
4,6 - Dinitro-o-cresol					
Total Cresols					
Benzoic Acid					
(1) - Cannot be separated from Diphenylamine					
VOLATILE ORGANICS	<i>mg/kg</i>	<i>mg/kg</i>	<i>mg/kg</i>	<i>mg/kg</i>	<i>mg/kg</i>
Chloromethane					
Bromomethane					
Vinyl Chloride					
Chloroethane					
Methylene Chloride					
Acetone					
Carbon Disulfide					
1,1 - Dichloroethene					
1,1 - Dichloroethane					

SAMPLE DATE	8/24/94	8/24/94	8/26/94	8/26/94	8/26/94
SAMPLE ID	CLJ-WCS-001	CLJ-WCS-002	CLJ-WCS-005	CLJ-WCS-006	CLJ-WCS-007
1,2 - Dichloroethene (total)					
Chloroform					
1,2 - Dichloroethane					
2 - Butanone					
1,1,1 - Trichloroethane					
Carbon Tetrachloride					
Bromodichloromethane					
1,2 - Dichloropropane					
cis-1,3 - Dichloropropene					
Trichloroethene					
Dibromochloromethane					
1,1,2 - Trichloroethane					
Benzene					
trans - 1,3 - Dichloropropene					
Bromoform					
4 - Methyl - 2- Pentanone					
2 - Hexanone					
Tetrachloroethene					
1,1,2,2 - Tetrachloroethane					
Toluene					
Chlorobenzene					
Ethylbenzene					
Styrene					
Xylene (total)					
1,4 - Dichlorobenzene					
1,2 - trans-Dichloroethene					
m - p - Xylenes					
Methyl Ethyl Ketone					
Methyl-iso-butyl ketone					

TABLE (Contd.)
WASTE CHARACTERIZATION ANALYSIS SUMMARY

SAMPLE DATE	8/26/94	8/26/94	8/26/94	8/26/94	8/26/94
SAMPLE ID	CLJ-WCS-008	CLJ-WCS-009	CLJ-WCS-010	CLJ-WCS-011	CLJ-WCS-012
CONVENTIONAL PARAMETERS	<i>mg/kg</i>	<i>mg/kg</i>	<i>mg/kg</i>	<i>mg/kg</i>	<i>mg/kg</i>
Reactive Cyanide					
Reactive Sulfide					
Flashpoint, 60 (deg C)					
pH (Electrode)					
BTU (BTU/lb)					
Density (g/cc)					
% Moisture					
Paint Filter Test					
Chloride					
Nitrate as N					
Phosphate as P					
Sulfate					
Sulfide, as S					
Free Chlorine (mg/L)					
Oil and Grease					
Total Suspended Solids					
Total Dissolved Solids					
PETROLEUM HYDROCARBONS	<i>mg/kg</i>	<i>mg/kg</i>	<i>mg/kg</i>	<i>mg/kg</i>	<i>mg/kg</i>
Light Hydrocarbons (C2-C10)					
Medium Hydrocarbons (C10-C21)					
Heavy Hydrocarbons (C21-C40)					
HERBICIDES	<i>mg/kg</i>	<i>mg/kg</i>	<i>mg/kg</i>	<i>mg/kg</i>	<i>mg/kg</i>
2,4,D					
2,4,5-TP (Silvex)					
PESTICIDES AND PCBs	<i>mg/kg</i>	<i>mg/kg</i>	<i>mg/kg</i>	<i>mg/kg</i>	<i>mg/kg</i>
alpha-BHC	< 0.018	< 0.019	< 0.020	< 0.019	< 0.019
beta-BHC	< 0.018	< 0.019	< 0.020	< 0.019	< 0.019
delta-BHC	< 0.018	< 0.019	< 0.020	< 0.019	< 0.019
gamma-BHC (Lindane)	< 0.018	< 0.019	< 0.020	< 0.019	< 0.019
Heptachlor	< 0.018	< 0.019	< 0.020	< 0.019	< 0.019
Aldrin	< 0.018	< 0.019	< 0.020	< 0.019	< 0.019
Heptachlor Epoxide	< 0.018	0.093	< 0.020	< 0.019	0.025
Endosulfan I	< 0.018	< 0.019	< 0.020	< 0.019	< 0.019
Dieldrin	< 0.018	0.061	< 0.020	< 0.019	0.031
4,4'-DDE	0.034	0.694	0.141	0.033	0.234
Endrin	< 0.018	0.326	< 0.020	< 0.019	0.086
Endosulfan II	< 0.018	< 0.019	< 0.020	< 0.019	< 0.019
4,4'-DDD	1.28	47.7	2.23	0.203	4.55
Endosulfan sulfate	< 0.018	< 0.019	< 0.020	< 0.019	< 0.019
4,4'-DDT	3.82	117	5.21	0.129	18.1
Methoxychlor	< 0.018	< 0.019	< 0.020	< 0.019	< 0.019
Endrin ketone	< 0.018	< 0.019	< 0.020	< 0.019	< 0.019
Endrin aldehyde	< 0.018	< 0.019	< 0.020	< 0.019	< 0.019
Chlordane					
alpha-Chlordane	< 0.018	0.043	< 0.020	< 0.019	< 0.019
gamma-Chlordane	< 0.018	< 0.019	< 0.020	< 0.019	< 0.019
Toxaphene	< 0.350	< 0.379	< 0.401	< 0.387	< 0.381
Aroclor-1016	< 0.175	< 0.189	< 0.200	< 0.194	< 0.191
Aroclor-1221	< 0.175	< 0.189	< 0.200	< 0.194	< 0.191
Aroclor-1232	< 0.175	< 0.189	< 0.200	< 0.194	< 0.191

SAMPLE DATE	8/26/94	8/26/94	8/26/94	8/26/94	8/26/94
SAMPLE ID	CLJ-WCS-008	CLJ-WCS-009	CLJ-WCS-010	CLJ-WCS-011	CLJ-WCS-012
Aroclor-1242	< 0.175	< 0.189	< 0.200	< 0.194	< 0.191
Aroclor-1248	< 0.175	< 0.189	< 0.200	< 0.194	< 0.191
Aroclor-1254	< 0.175	< 0.189	< 0.200	< 0.194	< 0.191
Aroclor-1260	< 0.175	< 0.189	< 0.200	< 0.194	< 0.191
INORGANIC METALS	<i>mg/kg</i>	<i>mg/kg</i>	<i>mg/kg</i>	<i>mg/kg</i>	<i>mg/kg</i>
Aluminum					
Antimony					
Arsenic					
Barium					
Beryllium					
Boron					
Cadmium					
Calcium					
Chromium					
Cobalt					
Copper					
Iron					
Lead					
Magnesium					
Manganese					
Mercury					
Molybdenum					
Nickel					
Potassium					
Selenium					
Silver					
Sodium					
Strontium					
Thallium					
Vanadium					
Zinc					
Cyanide					
SEMIVOLATILE ORGANICS	<i>mg/kg</i>	<i>mg/kg</i>	<i>mg/kg</i>	<i>mg/kg</i>	<i>mg/kg</i>
Phenol					
bis (2-Chloroethyl) ether					
2-Chlorophenol					
1,3 - Dichlorobenzene					
1,4 - Dichlorobenzene					
1,2 - Dichlorobenzene					
2 - Methylphenol					
2, 2' - oxybis (1-Chloropropane)					
4 - Methylphenol					
N - Nitroso-di-n-propylamine					
Hexachloroethane					
Nitrobenzene					
Isophorone					
2 - Nitrophenol					
2,4 - Dimethylphenol					
bis (2-Chloroethoxy) methane					
2,4 - Dichlorophenol					
1,2,4 - Trichlorobenzene					
Naphthalene					
4-Chloroaniline					
Hexachlorobutadiene					
4 - Chloro - 3 -methylphenol					
2 - Methylnaphthalene					
Hexachlorocyclopentadiene					

SAMPLE DATE	8/26/94	8/26/94	8/26/94	8/26/94	8/26/94
SAMPLE ID	CLJ-WCS-008	CLJ-WCS-009	CLJ-WCS-010	CLJ-WCS-011	CLJ-WCS-012
2,4,6 - Trichlorophenol					
2,4,5 - Trichlorophenol					
2 - Chloronaphthalene					
2 - Nitroaniline					
Dimethylphthalate					
Acenaphthylene					
2,6 - Dinitrotoluene					
3 - Nitroaniline					
Acenaphthene					
2,4 - Dinitrophenol					
4 - Nitrophenol					
Dibenzofuran					
2, 4 - Dinitrotoluene					
Diethylphthalate					
4 - Chlorophenyl-phenylether					
Fluorene					
4 - Nitroaniline					
4,6 - Dinitro-2-methylphenol					
N - Nitrosodiphenylamine (1)					
4 - Bromophenyl-phenylether					
Hexachlorobenzene					
Pentachlorophenol					
Phenanthrene					
Anthracene					
Carbazole					
Di-n-butylphthalate					
Fluoranthene					
Pyrene					
Butylbenzylphthalate					
3,3' - Dichlorobenzidine					
Benzo (a) anthracene					
Chrysene					
bis (2-Ethylhexyl) phthalate					
Di-n-octylphthalate					
Benzo (b) fluoranthene					
Benzo (k) fluoranthene					
Benzo (a) pyrene					
Indeno (1,2,3 - cd) pyrene					
Dibenz (a,h) anthracene					
Benzo (g,h,i) perylene					
Pyridine					
Methoxychlor					
gamma-BHC (Lindane)					
4,6 - Dinitro-o-cresol					
Total Cresols					
Benzoic Acid					
(1) - Cannot be separated from Diphenylamine					
VOLATILE ORGANICS	<i>mg/kg</i>	<i>mg/kg</i>	<i>mg/kg</i>	<i>mg/kg</i>	<i>mg/kg</i>
Chloromethane					
Bromomethane					
Vinyl Chloride					
Chloroethane					
Methylene Chloride					
Acetone					
Carbon Disulfide					
1,1 - Dichloroethene					
1,1 - Dichloroethane					

SAMPLE DATE	8/26/94	8/26/94	8/26/94	8/26/94	8/26/94
SAMPLE ID	CLJ-WCS-008	CLJ-WCS-009	CLJ-WCS-010	CLJ-WCS-011	CLJ-WCS-012
1,2 - Dichloroethene (total)					
Chloroform					
1,2 - Dichloroethane					
2 - Butanone					
1,1,1 - Trichloroethane					
Carbon Tetrachloride					
Bromodichloromethane					
1,2 - Dichloropropane					
cis-1,3 - Dichloropropene					
Trichloroethene					
Dibromochloromethane					
1,1,2 - Trichloroethane					
Benzene					
trans - 1,3 - Dichloropropene					
Bromoform					
4 - Methyl - 2- Pentanone					
2 - Hexanone					
Tetrachloroethene					
1,1,2,2 - Tetrachloroethane					
Toluene					
Chlorobenzene					
Ethylbenzene					
Styrene					
Xylene (total)					
1,4 - Dichlorobenzene					
1,2 - trans-Dichloroethene					
m - p - Xylenes					
Methyl Ethyl Ketone					
Methyl-iso-butyl ketone					

**TABLE (Contd.)
WASTE CHARACTERIZATION ANALYSIS SUMMARY**

SAMPLE DATE	11/9/94	11/9/94	11/9/94	12/8/94	12/8/94	1/25/95
SAMPLE ID	CLJ-DWS-075	CLJ-DWS-102	CLJ-DWS-151	CLJ-DD-01	CLJ-DD-01	CLJ-DWW-001
CONVENTIONAL PARAMETERS	<i>mg/kg</i>	<i>mg/L-TCLP</i>	<i>mg/kg</i>	<i>mg/kg</i>	<i>mg/kg</i>	<i>mg/kg</i>
Reactive Cyanide	< 0.526	< 0.050	< 0.391	< 10.0		
Reactive Sulfide				< 20.0		
Flashpoint, 60 (deg C)	60	> 60	> 60	> 60		
pH (Electrode)	5.2	7.58	4.19	5.68		7.79
BTU (BTU/lb)	16,100	435	5.250	5.910		
Density (g/cc)				1.31		
% Moisture	4.18%	80%	0.10%			
Paint Filter Test						
Chloride	4.89	3.37	701	3.90, B		
Nitrate as N	4.78	0.250, B	4.28	5.69		
Phosphate as P	< 2.92	< 0.326	< 3.43	< 3.24		
Sulfate	< 8.96	4.7	10.5, b	5.50, B		
Sulfide, as S	< 10.0	< 0.010	< 10.0			
Free Chlorine (mg/L)						
Oil and Grease						515
Total Suspended Solids		9,910				155
Total Dissolved Solids		< 10				170
PETROLEUM HYDROCARBONS	<i>mg/kg</i>	<i>mg/kg</i>	<i>mg/kg</i>	<i>mg/kg</i>		<i>mg/kg</i>
Light Hydrocarbons (C2-C10)				< 2.3		
Medium Hydrocarbons (C10-C21)				3.3, J		
Heavy Hydrocarbons (C21-C40)				110		
HERBICIDES	<i>mg/kg</i>	<i>mg/kg</i>	<i>mg/kg</i>	<i>mg/L-TCLP</i>		<i>mg/kg</i>
2,4,D				< 0.250		
2,4,5-TP (Silvex)				< 0.250		
PESTICIDES AND PCBs	<i>mg/kg</i>	<i>mg/L-TCLP</i>	<i>mg/kg</i>	<i>mg/kg</i>	<i>mg/L-TCLP</i>	<i>mg/kg</i>
alpha-BHC	< 1.1	< 0.005	< 0.180	< 0.069		
beta-BHC	< 1.1	< 0.005	< 0.180	< 0.069		
delta-BHC	< 1.1	< 0.005	< 0.180	< 0.069		
gamma-BHC (Lindane)	< 1.1	< 0.005	< 0.180	< 0.069	< 0.002	
Heptachlor	< 1.1	< 0.005	< 0.180	< 0.069	< 0.002	
Aldrin	< 1.1	< 0.005	< 0.180	< 0.069		
Heptachlor Epoxide	< 1.1	< 0.005	< 0.180	< 0.069	< 0.002	
Endosulfan I	< 1.1	< 0.005	< 0.180	< 0.069		
Dieldrin	< 1.1	< 0.005	< 0.180	0.051, J		
4,4'-DDE	< 1.1	< 0.005	< 0.180	< 0.069		
Endrin	< 1.1	< 0.005	< 0.180	< 0.069	< 0.002	
Endosulfan II	< 1.1	< 0.005	< 0.180	< 0.069		
4,4'-DDD	< 1.1	< 0.005	< 0.180	< 0.069		
Endosulfan sulfate	< 1.1	< 0.005	< 0.180	< 0.069		
4,4'-DDT	< 1.1	< 0.005	< 0.180	0.13		
Methoxychlor	< 1.1	< 0.005	< 0.180	< 0.069	< 0.002	
Endrin ketone	< 1.1	< 0.005	< 0.180	< 0.069		
Endrin aldehyde	< 1.1	< 0.005	< 0.180	< 0.069		
Chlordane	< 11	< 0.050	< 1.800		< 0.020	
alpha-Chlordane				< 0.069		
gamma-Chlordane				< 0.069		
Toxaphene	< 21	< 0.100	< 3.500	< 1.4	< 0.040	
Aroclor-1016	< 11	< 0.050	< 1.800	< 5.5		
Aroclor-1221	< 11	< 0.050	< 1.800	< 5.5		
Aroclor-1232	< 11	< 0.050	< 1.800	< 5.5		

SAMPLE DATE	11/9/94	11/9/94	11/9/94	12/8/94	12/8/94	1/25/95
SAMPLE ID	CLJ-DWS-075	CLJ-DWS-102	CLJ-DWS-151	CLJ-DD-01	CLJ-DD-01	CLJ-DWW-001
Aroclor-1242	< 11	< 0.050	< 1.800	< 5.5		
Aroclor-1248	< 11	< 0.050	< 1.800	< 5.5		
Aroclor-1254	< 11	< 0.050	< 1.800	< 5.5		
Aroclor-1260	< 11	< 0.050	< 1.800	< 5.5		
INORGANIC METALS	<i>mg/kg</i>	<i>mg/L-TCLP</i>	<i>mg/kg</i>	<i>mg/kg</i>	<i>mg/L-TCLP</i>	<i>mg/L-TCLP</i>
Aluminum	7.61, N	1.14	241	92.9		3.32, N
Antimony	< 0.741, N	< 0.0298	< 0.745	< 0.71, N, *		< 0.0298
Arsenic	< 0.57, N	< 0.002	< 2.0	12.3, W	< 0.002	< 0.002
Barium	0.313, N	0.0416, B, N	28.3	2.03	0.356	0.0273, B
Beryllium	< 0.013	< 0.0005	< 0.013	< 0.012, N		< 0.0005
Boron						
Cadmium	0.46, N	0.0895	0.298	2.43	0.00916	< 0.0011
Calcium	48.3, B, N	7.23	53, B	7,810, *		12.7
Chromium	1.45, N	0.0962	6.9, N, *	23.5	0.0128	< 0.0059
Cobalt	0.453, B, N	0.00449, B	0.181, B	3.07		< 0.0037
Copper	1.13, N	0.877	16.3, N	53500, *		0.0258
Iron	13,300	2,310	3,750, *	57600, *		15, N, *
Lead	14, N	0.00561	20.8, N, *	271, *	0.447	0.236, N
Magnesium	6.22, B, N	0.610, B	15.1, B	147		0.755, B
Manganese	39.6, N	6.33, N	25.8	383		0.0856
Mercury	0.25	0.000439	0.1, N, *	0.02	0.000159, B	0.00028
Molybdenum						
Nickel	3.36, B, N	0.123	0.893, B	30.5, N		< 0.0095
Potassium	< 37.1, N	< 1.49	< 26.8	< 35.5		< 1.49
Selenium	< 0.978	< 0.0013	< 0.13	< 0.12, N, E	< 0.0013, N, W	< 0.0013, N, W
Silver	0.144, N	< 0.0058	0.868, N, *	0.755, *	< 0.0058	< 0.0058
Sodium	135, N	1.91	10.8, B	24.8, B		2.48, B
Strontium	1.25, N	< 0.002	< 0.2			
Thallium				< 0.185		< 0.0021
Vanadium	< 0.104, N	< 0.0042	0.365, B	1.02, N		< 0.0042
Zinc	196	2.28	633	4,190		0.109
Cyanide				< 0.503		< 10.0
SEMIVOLATILE ORGANICS	<i>mg/kg</i>	<i>mg/L-TCLP</i>	<i>mg/kg</i>	<i>mg/kg</i>	<i>mg/L-TCLP</i>	<i>mg/L-TCLP</i>
Phenol	< 1,300	< 39	< 70	< 43		< 0.200
bis (2-Chloroethyl) ether	< 1,300	< 39	< 70	< 43		< 0.200
2-Chlorophenol	< 1,300	< 39	< 70	< 43		< 0.200
1,3 - Dichlorobenzene	< 1,300	< 39	< 70	< 43		< 0.200
1,4 - Dichlorobenzene	< 1,300	< 39	< 70	< 43		< 0.200
1,2 - Dichlorobenzene	< 1,300	< 39	< 70	< 43		< 0.200
2 - Methylphenol	< 1,300	< 39	< 70	< 43	< 0.100	< 0.200
2, 2' - oxybis (1-Chloropropane)	< 1,300	< 39	< 70	< 43		< 0.200
4 - Methylphenol	< 1,300	< 39	< 70	< 43	< 0.100	< 0.200
N - Nitroso-di-n-propylamine	< 1,300	< 39	< 70	< 43		< 0.200
Hexachloroethane	< 1,300	< 39	< 70	< 43	< 0.100	< 0.200
Nitrobenzene	< 1,300	< 39	< 70	< 43	< 0.100	< 0.200
Isophorone	< 1,300	< 39	< 70	< 43		< 0.200
2 - Nitrophenol	< 1,300	< 39	< 70	< 43		< 0.200
2,4 - Dimethylphenol	< 1,300	< 39	< 70	< 43		< 0.200
bis (2-Chloroethoxy) methane	< 1,300	< 39	< 70	< 43		< 0.200
2,4 - Dichlorophenol	< 1,300	< 39	< 70	< 43		< 0.200
1,2,4 - Trichlorobenzene	< 1,300	< 39	< 70	< 43		< 0.200
Naphthalene	< 1,300	< 39	< 70	< 43		< 0.200
4-Chloroaniline	< 1,300	< 39	< 70	< 43		< 0.200
Hexachlorobutadiene	< 1,300	< 39	< 70	< 43	< 0.100	< 0.200
4 - Chloro - 3 -methylphenol	< 1,300	< 39	< 70	< 43		< 0.200
2 - Methylnaphthalene	< 1,300	< 39	< 70	< 43		< 0.200
Hexachlorocyclopentadiene	< 1,300	< 39	< 70	< 43		< 0.200

SAMPLE DATE	11/9/94	11/9/94	11/9/94	12/8/94	12/8/94	1/25/95
SAMPLE ID	CLJ-DWS-075	CLJ-DWS-102	CLJ-DWS-151	CLJ-DD-01	CLJ-DD-01	CLJ-DWW-001
2,4,6 - Trichlorophenol	< 1,300	< 39	< 70	< 43	< 0.100	< 0.200
2,4,5 - Trichlorophenol	< 1,300	< 39	< 70	< 43	< 0.100	< 0.200
2 - Chloronaphthalene	< 1,300	< 39	< 70	< 43		< 0.200
2 - Nitroaniline	< 1,300	< 39	< 70	< 43		< 0.200
Dimethylphthalate	< 1,300	< 39	< 70	< 43		< 0.200
Acenaphthylene	< 1,300	< 39	< 70	< 43		< 0.200
2,6 - Dinitrotoluene	< 1,300	< 39	< 70	< 43		< 0.200
3 - Nitroaniline	< 1,300	< 39	< 70	< 43		< 0.200
Acenaphthene	< 1,300	< 39	< 70	< 43		< 0.200
2,4 - Dinitrophenol	< 6,700	< 200	< 350	< 210		< 1.0
4 - Nitrophenol	< 6,700	< 200	< 350	< 210		< 1.0
Dibenzofuran	< 1,300	< 39	< 70	< 43		< 0.200
2, 4 - Dinitrotoluene	< 1,300	< 39	< 70	< 43	< 0.100	< 0.200
Diethylphthalate	< 1,300	< 39	< 70	< 43		< 0.200
4 - Chlorophenyl-phenylether	< 1,300	< 39	< 70	< 43		< 0.200
Fluorene	< 1,300	< 39	< 70	< 43		< 0.200
4 - Nitroaniline	< 1,300	< 39	< 70	< 43		< 0.200
4,6 - Dinitro-2-methylphenol	< 3,300	< 39	< 180	< 110		< 0.200
N - Nitrosodiphenylamine (1)	< 1,300	< 39	< 70	< 43		< 0.200
4 - Bromophenyl-phenylether	< 1,300	< 39	< 70	< 43		< 0.200
Hexachlorobenzene	< 1,300	< 39	< 70	< 43	< 0.100	< 0.200
Pentachlorophenol	< 1,300	< 39	< 70	< 43	< 0.100	< 0.200
Phenanthrene	< 1,300	< 39	< 70	< 43		< 0.200
Anthracene	< 1,300	< 39	< 70	< 43		< 0.200
Carbazole	< 1,300	< 39	< 70	< 43		< 0.200
Di-n-butylphthalate	< 1,300	< 39	< 70	< 43		< 0.200
Fluoranthene	< 1,300	< 39	< 70	< 43		< 0.200
Pyrene	< 1,300	< 39	< 70	< 43		< 0.200
Butylbenzylphthalate	< 1,300	< 39	< 70	< 43		< 0.200
3,3' - Dichlorobenzidine	< 1,300	< 39	< 70	< 43		< 0.200
Benzo (a) anthracene	< 1,300	< 39	< 70	< 43		< 0.200
Chrysene	< 1,300	< 39	< 70	< 43		< 0.200
bis (2-Ethylhexyl) phtalate	< 1,300	< 39	200	< 43		0.054, J
Di-n-octylphthalate	< 1,300	< 39	< 70	< 43		< 0.200
Benzo (b) fluoranthene	< 1,300	< 39	< 70	< 43		< 0.200
Benzo (k) fluoranthene	< 1,300	< 39	< 70	< 43		< 0.200
Benzo (a) pyrene	< 1,300	< 39	< 70	11, J		< 0.200
Indeno (1,2,3 - cd) pyrene	< 1,300	< 39	< 70	< 43		< 0.200
Dibenz (a,h) anthracene	< 1,300	< 39	< 70	< 43		< 0.200
Benzo (g,h,i) perylene	< 1,300	< 39	< 70	5.9, J		< 0.200
Pyridine					< 0.100	
Methoxychlor						
gamma-BHC (Lindane)						
4,6 - Dinitro-o-cresol						
Total Cresols						
Benzoic Acid						
(1) - Cannot be separated from Diphenylamine						
VOLATILE ORGANICS	<i>mg/kg</i>	<i>mg/L-TCLP</i>	<i>mg/kg</i>	<i>mg/kg</i>	<i>mg/L-TCLP</i>	<i>mg/L-TCLP</i>
Chloromethane	< 240	< 50	< 0.006	< 0.005		< 0.005
Bromomethane	< 240	< 50	< 0.006	< 0.005		< 0.005
Vinyl Chloride	< 240	< 50	< 0.006	< 0.005	< 0.130	< 0.005
Chloroethane	< 240	< 50	< 0.006	< 0.005		< 0.005
Methylene Chloride	120, J	< 50	0.540, B, E	0.027, B		0.002, B, J
Acetone	< 470	< 100	0.410, E	< 0.010		< 0.010
Carbon Disulfide	< 240	< 50	< 0.006	0.026		< 0.005
1,1 - Dichloroethene	< 240	< 50	< 0.006	< 0.005	< 0.130	< 0.005
1,1 - Dichloroethane	< 240	< 50	< 0.006	< 0.005		< 0.005

SAMPLE DATE	11/9/94	11/9/94	11/9/94	12/8/94	12/8/94	1/25/95
SAMPLE ID	CLJ-DWS-075	CLJ-DWS-102	CLJ-DWS-151	CLJ-DD-01	CLJ-DD-01	CLJ-DWW-001
1,2 - Dichloroethene (total)	< 240	< 50	< 0.006	< 0.005		< 0.005
Chloroform	< 240	< 50	0.048	< 0.005	< 0.130	< 0.005
1,2 - Dichloroethane	< 240	< 50	< 0.006	< 0.005	< 0.130	< 0.005
2 - Butanone	< 240	< 50	0.018	< 0.005	< 0.130	< 0.005
1,1,1 - Trichloroethane	< 240	< 50	< 0.006	< 0.005		< 0.005
Carbon Tetrachloride	< 240	< 50	0.003, J	< 0.005	< 0.130	< 0.005
Bromodichloromethane	< 240	< 50	< 0.006	< 0.005		< 0.005
1,2 - Dichloropropane	< 240	< 50	< 0.006	< 0.005		< 0.005
cis-1,3 - Dichloropropene	< 240	< 50	< 0.006	< 0.005		< 0.005
Trichloroethene	< 240	< 50	0.003, J	< 0.005	< 0.130	< 0.005
Dibromochloromethane	< 240	< 50	< 0.006	< 0.005		< 0.005
1,1,2 - Trichloroethane	< 240	< 50	< 0.006	< 0.005		< 0.005
Benzene	< 240	< 50	< 0.006	< 0.005	< 0.130	< 0.005
trans - 1,3 - Dichloropropene	< 240	< 50	< 0.006	< 0.005		< 0.005
Bromoform	< 240	< 50	< 0.006	< 0.005		< 0.005
4 - Methyl - 2 - Pentanone						
2 - Hexanone	< 240	< 50	< 0.006	< 0.005		< 0.005
Tetrachloroethene	< 240	< 50	0.011	< 0.005	< 0.130	< 0.005
1,1,2,2 - Tetrachloroethane	< 240	< 50	0.005, J	< 0.005		< 0.005
Toluene	130, J	40, J	0.013	< 0.005		< 0.005
Chlorobenzene	< 240	< 50	< 0.006	< 0.005	0.038, J	< 0.005
Ethylbenzene	350	< 50	< 0.006	< 0.005		0.0008, B, J
Styrene	< 240	< 50	< 0.006	< 0.005		< 0.005
Xylene (total)	1,800, B	13, B, J	0.015	0.002, J		0.003, B, J
1,4 - Dichlorobenzene					< 0.130	< 0.005
1,2 - trans-Dichloroethene	< 240	< 50	< 0.006	< 0.005		< 0.005
m - p - Xylenes						
Methyl Ethyl Ketone						
Methyl-iso-butyl ketone	< 470	< 100	< 0.012	< 0.010		< 0.010

TABLE 5.7
WASTEWATER ANALYSIS SUMMARY
MCB CAMP LEJEUNE, SITES 6 & 82 TRENCHES
OHM Project No.: 15226

SAMPLE DATE	2/24/94	3/1/94	3/15/94
SAMPLE ID	CLJ-DWW-01	CLJ-DWW-02	CLJ-DWW-03
CONVENTIONAL PARAMETERS (mg/L)			
Total Cyanide	< 0.010	< 0.009	< 0.010
Oil and Grease	16.0	111	< 5.00
Total Suspended Solids	56.0	38	26
Total Dissolved Solids (TDS)	107	148	451
pH	6.46	7.18	6.51
PESTICIDES AND PCBs (mg/L)			
Aldrin	< 0.0001	< 0.0001	< 0.0002
alpha-BHC	< 0.0001	< 0.0001	< 0.0002
beta-BHC	< 0.0001	< 0.0001	< 0.0002
Chlordane	< 0.0006	< 0.0005	< 0.001
4,4'-DDD	0.0005	0.0008	< 0.0002
4,4'-DDE	0.0001	0.0003	0.0006
4,4'-DDT	0.001	0.002	0.008
delta-BHC	< 0.0001	< 0.0001	< 0.0002
Dieldrin	< 0.0001	< 0.0001	< 0.0002
Endosulfan sulfate	< 0.0001	< 0.0001	< 0.0002
Endosulfan I	< 0.0001	< 0.0001	< 0.0002
Endosulfan II	< 0.0001	< 0.0001	< 0.0002
Endrin	< 0.0001	< 0.0001	< 0.0002
Endrin aldehyde	< 0.0001	< 0.0001	< 0.0002
Endrin ketone	< 0.0001	< 0.0001	< 0.0002
gamma-BHC	< 0.0001	< 0.0001	< 0.0002
Heptachlor	< 0.0001	< 0.0001	< 0.0002
Heptachlor Epoxide	< 0.0001	< 0.0001	< 0.0002
Methoxychlor	< 0.0001	< 0.0001	< 0.0002
Toxaphene	< 0.002	< 0.002	< 0.004
Aroclor-1016	< 0.001	< 0.001	< 0.002
Aroclor-1221	< 0.001	< 0.001	< 0.002
Aroclor-1232	< 0.001	< 0.001	< 0.002
Aroclor-1242	< 0.001	< 0.001	< 0.002
Aroclor-1248	< 0.001	< 0.001	< 0.002
Aroclor-1254	< 0.001	< 0.001	< 0.002
Aroclor-1260	< 0.001	< 0.001	< 0.002
METALS (mg/L)			
Arsenic	< 0.100	< 0.100	< 0.100
Barium	0.045	0.058	0.338
Cadmium	0.006	< 0.005	0.549
Chromium	< 0.010	< 0.010	< 0.010
Lead	0.091	0.397	0.089
Mercury	< 0.001	< 0.001	< 0.001
Selenium	< 0.100	< 0.100	< 0.100
Silver	< 0.010	< 0.010	< 0.010
BASE/NEUTRAL/ACID (mg/L)			
Acenaphthene	< 0.013	< 0.010	< 0.010
Acenaphthylene	< 0.013	< 0.010	< 0.010
Anthracene	< 0.013	< 0.010	< 0.010
Benzidine	< 0.013	< 0.010	< 0.010
Benzoic Acid	< 0.031	< 0.025	< 0.026
Benzyl Alcohol	< 0.013	< 0.010	< 0.010
Benzo (a) anthracene	< 0.013	< 0.010	< 0.010
Benzo (b) fluoranthene	< 0.013	< 0.010	< 0.010

SAMPLE DATE	2/24/94	3/1/94	3/15/94
SAMPLE ID	CLJ-DWW-01	CLJ-DWW-02	CLJ-DWW-03
Benzo (k) fluoranthene	< 0.013	< 0.010	< 0.010
Benzo (g,h,i) perylene	< 0.013	< 0.010	< 0.010
Benzo (a) pyrene	< 0.013	< 0.010	< 0.010
bis (2-Chloroethoxy) ethane	< 0.013	< 0.010	< 0.010
bis (2-Chloroethyl) ether	< 0.013	< 0.010	< 0.010
bis (2-Chloroethoxy) methane	< 0.013	< 0.010	< 0.010
bis (2-Chloroisopropyl) ether	< 0.013	< 0.010	< 0.010
bis (2-Ethylhexyl) phthalate	< 0.013	0.063	< 0.010
4-Bromophenyl phenyl ether	< 0.013	< 0.010	< 0.010
Butylbenzylphthalate	< 0.013	< 0.010	< 0.010
Carbazole	< 0.013	< 0.010	< 0.010
4-Chloroaniline	< 0.013	< 0.010	< 0.010
p-Chloro-m-cresol	< 0.013	< 0.010	< 0.010
2-Chloronaphthalene	< 0.013	< 0.010	< 0.010
2-Chlorophenol	< 0.013	< 0.010	< 0.010
4-Chlorophenyl phenyl ether	< 0.013	< 0.010	< 0.010
3-Chloropropionitrile	< 0.013	< 0.010	< 0.010
Chrysene	< 0.013	< 0.010	< 0.010
Cyclohexanone	< 0.013	< 0.010	< 0.010
Dibenzo (a,h) anthracene	< 0.013	< 0.010	< 0.010
Dibenzofuran	< 0.013	< 0.010	< 0.010
Di-n-butylphthalate	< 0.013	0.018	< 0.010
1,2-Dichlorobenzene	< 0.013	< 0.010	< 0.010
1,3-Dichlorobenzene	< 0.013	< 0.010	< 0.010
1,4-Dichlorobenzene	< 0.013	< 0.010	< 0.010
3,3'-Dichlorobenzidine	< 0.013	< 0.010	< 0.010
2,4-Dichlorophenol	< 0.013	< 0.010	< 0.010
2,6-Dichlorophenol	< 0.013	< 0.010	< 0.010
Diethylphthalate	< 0.013	< 0.010	< 0.010
Dimethylphthalate	< 0.013	< 0.010	< 0.010
2,4-Dimethylphenol	< 0.013	< 0.010	< 0.010
4,6-Dinitro-o-cresol	< 0.031	< 0.025	< 0.026
2,4-Dinitrophenol	< 0.062	< 0.050	< 0.052
2,4-Dinitrotoluene	< 0.013	< 0.010	< 0.010
2,6-Dinitrotoluene	< 0.013	< 0.010	< 0.010
Di-n-octyl phthalate	< 0.013	< 0.010	< 0.010
2-Ethoxyethanol	< 0.013	< 0.010	< 0.010
Fluoranthene	< 0.013	< 0.010	< 0.010
Fluorene	< 0.013	< 0.010	< 0.010
Hexachlorobenzene	< 0.013	< 0.010	< 0.010
Hexachlorobutadiene	< 0.013	< 0.010	< 0.010
Hexachlorocyclopentadiene	< 0.013	< 0.010	< 0.010
Hexachloroethane	< 0.013	< 0.010	< 0.010
Hexachloropropene	< 0.013	< 0.010	< 0.010
Indeno (1,2,3 - cd) pyrene	< 0.013	< 0.010	< 0.010
Isophorone	< 0.013	< 0.010	< 0.010
4,4'-Methylenebis(2-chloroaniline)	< 0.013	< 0.010	< 0.010
2-Methylnaphthalene	< 0.013	< 0.010	< 0.010
2-Methylphenol	< 0.013	< 0.010	< 0.010
4-Methylphenol	< 0.013	< 0.010	< 0.010
2-Nitropropane	< 0.013	< 0.010	< 0.010
N-Nitrosodimethylamine	< 0.013	< 0.010	< 0.010
N-Nitrosodi-n-propylamine	< 0.013	< 0.010	< 0.010
N-Nitrosodiphenylamine	< 0.013	< 0.010	< 0.010
Naphthalene	< 0.013	< 0.010	< 0.010
2-Nitroaniline	< 0.013	< 0.010	< 0.010
3-Nitroaniline	< 0.013	< 0.010	< 0.010

SAMPLE DATE	2/24/94	3/1/94	3/15/94
SAMPLE ID	CLJ-DWW-01	CLJ-DWW-02	CLJ-DWW-03
4-Nitroaniline	< 0.013	< 0.010	< 0.010
Nitrobenzene	< 0.013	< 0.010	< 0.010
2-Nitrophenol	< 0.013	< 0.010	< 0.010
4-Nitrophenol	< 0.013	< 0.050	< 0.052
Pentachlorobenzene	< 0.013	< 0.010	< 0.010
Pentachloronitrobenzene	< 0.013	< 0.010	< 0.010
Pentachlorophenol	< 0.013	< 0.010	< 0.010
Pentachloroethane	< 0.013	< 0.010	< 0.010
Phenanthrene	< 0.013	< 0.010	< 0.010
Phenol	< 0.013	< 0.010	< 0.010
Pronamide	< 0.013	< 0.010	< 0.010
Pyrene	< 0.013	< 0.010	< 0.010
Pyridine	< 0.013	< 0.010	< 0.010
1,2,4,5-Tetrachlorobenzene	< 0.013	< 0.010	< 0.010
2,3,4,6-Tetrachlorophenol	< 0.013	< 0.010	< 0.010
1,2,4-Trichlorobenzene	< 0.013	< 0.010	< 0.010
2,4,5-Trichlorophenol	< 0.013	< 0.010	< 0.010
2,4,6-Trichlorophenol	< 0.013	< 0.010	< 0.010
VOLATILES (mg/L)			
Acetone	< 0.005	0.025	0.079
Acrolein	< 0.025	< 0.025	< 0.025
Acrylonitrile	< 0.013	< 0.013	< 0.013
Benzene	< 0.005	< 0.005	< 0.005
Bromoform	< 0.005	< 0.005	< 0.005
Carbon Disulfide	< 0.005	< 0.005	< 0.005
Carbon Tetrachloride	< 0.005	< 0.005	< 0.005
Chlorobenzene	< 0.005	< 0.005	< 0.005
Chlorodibromomethane	< 0.005	< 0.005	< 0.005
Chloroethane	< 0.005	< 0.005	< 0.005
Chloroform	< 0.005	< 0.005	< 0.005
2-Chloroethylvinyl ether	< 0.005	< 0.005	< 0.005
3-Chloropropene	< 0.005	< 0.005	< 0.005
1,2-Dibromo-3-chloropropane	< 0.005	< 0.005	< 0.005
Dichlorobromomethane	< 0.005	< 0.005	< 0.005
Dichlorodifluoromethane	< 0.005	< 0.005	< 0.005
1,1-Dichloroethane	< 0.005	< 0.005	< 0.005
1,2-Dichloroethane	< 0.005	< 0.005	< 0.005
1,1-Dichloroethylene	< 0.005	< 0.005	< 0.005
1,2-Dichloropropane	< 0.005	< 0.005	< 0.005
cis-1,3-Dichloropropylene	< 0.005	< 0.005	< 0.005
trans-1,3-Dichloropropylene	< 0.005	< 0.005	< 0.005
Dibromomethane	< 0.005	< 0.005	< 0.005
Ethylbenzene	< 0.005	< 0.005	< 0.005
Ethylene dibromide	< 0.005	< 0.005	< 0.005
Ethyl Acetate	< 0.050	< 0.005	< 0.050
Ethyl Ether	< 0.005	< 0.005	< 0.005
2-Hexanone	< 0.005	< 0.005	< 0.005
Iodomethane	< 0.005	< 0.005	< 0.005
Methyl Bromide	< 0.005	< 0.005	< 0.005
Methyl Chloride	< 0.005	< 0.005	< 0.005
Methyl Ethyl Ketone	< 0.010	< 0.010	< 0.010
Methyl-iso-butyl ketone	< 0.010	< 0.010	0.024
Styrene	< 0.005	< 0.005	< 0.005
1,1,1,2-Tetrachloroethane	< 0.005	< 0.005	< 0.005
1,1,2,2-Tetrachloroethane	< 0.005	< 0.005	< 0.005
Tetrachloroethene	< 0.005	< 0.005	< 0.005
Tetrahydrofuran	< 0.005	< 0.005	< 0.005

SAMPLE DATE	2/24/94	3/1/94	3/15/94
SAMPLE ID	CLJ-DWW-01	CLJ-DWW-02	CLJ-DWW-03
Toluene	< 0.005	< 0.005	< 0.005
1,1,1-Trichloroethane	< 0.005	< 0.005	< 0.005
1,1,2-Trichloroethane	< 0.005	< 0.005	< 0.005
Trichloroethene	< 0.005	< 0.005	< 0.005
1,2-Trans-dichloroethylene	< 0.005	< 0.005	< 0.005
Trichlorofluoromethane	< 0.005	< 0.005	< 0.005
1,2,3-Trichloropropane	< 0.005	< 0.005	< 0.005
1,1,2-Trichlorotrifluoroethane	< 0.010	< 0.010	< 0.010
Vinyl Acetate	< 0.025	< 0.025	< 0.025
Vinyl Chloride	< 0.005	< 0.005	< 0.005
Xylene (total)	< 0.005	< 0.005	< 0.005

NOTE :

C (Concentration) Qualifiers :

- B Reported Value was obtained from a reading that was less than the Contract Required Detection Limit, but greater than or equal to the Instrument Detection Limit
- U Analyte was analyzed for but not detected

Q Qualifiers :

- E Reported Value is estimated because of the presence of interference
- M Duplicate injection precision not met
- N Spiked sample recovery not within control limits
- S Required value was determined by the Method of Standard Additions (MSA)
- W Post-digestion spike for Furnace AA analysis is out of control limits (85-115%), while sample absorbance is less than 50% of spike absorbance
- * Duplicate analysis not within control limits
- + Correlation coefficient for the MSA is less than 0.995

M (Method) Qualifiers :

- P ICP
- A Flame AA
- F Furnace AA
- PM ICP when Microwave Digestion is used
- AM Flame AA when Microwave Digestion is used
- FM Furnace AA when Microwave Digestion is used
- CV Manual Cold Vapor AA
- AV Automated Cold Vapor AA
- CA Midi-Distillation Spectrophotometric
- AS Semi-Automated Spectrophotometric
- C Manual Spectrophotometric
- T Titrimetric
- NR Analyte not required to be analyzed

6.0 SITE RESTORATION AND WASTE MANAGEMENT

6.1 BACKFILL

In March, 1994, backfilling operations began for the northern, southern, and battery area trenches. Analytical reports from the confirmation sampling indicated that all hazardous materials and soils had been removed from the southern trenches. As discussed earlier, no confirmation sampling was performed in the northern excavation due its location in AOC-1 which was scheduled for future remediation. As directed by Base personnel, the non-hazardous debris which has been removed from the Southern and Battery Trenches was placed back into their respective excavations during the backfill operations. The remaining void space of the southern and battery trenches was filled with soils from the Base borrow area. Compaction was performed by conducting several passes of the earth moving equipment over the fill. No analytical or geotechnical testing was performed. The northern excavation at Site 82 was regraded and filled with adjacent soils.

Subsequent to the initial backfilling operation in March, guidance regarding the return of debris to the excavation was modified by Base personnel. The debris which was returned to the excavations was required to be removed and placed into the Base landfill as nonhazardous debris. This activity was subsequently performed by OHM during OHM's second mobilization to the site.

6.2 TRANSPORTATION AND DISPOSAL

Waste material was disposed at Camp Lejeune facilities, recycled or disposed of at off-site facilities. All material was appropriately characterized and profiled prior to final disposition.

Material managed at Camp Lejeune included empty drums which were triple rinsed, scrap ASTs, and decon water. After being crushed, the drums were sent to the Camp Lejeune Defense Reutilization Management Office (DRMO) for recycling or disposal. As discussed in Section 4.0, the contents of the five (5) 250-gallon AST's were removed. The AST's were cut up, decontaminated, and shipped to the DRMO. The rinse and decontamination water was collected in a 12,000-gallon pool and tested. Following receipt of analytical results, the water was shipped to the Camp Lejeune Wastewater Treatment Plant (POTW) for treatment and disposal. A summary of the materials disposed on-site, their destination and quantity are provided in Table 6.1, entitled Summary of On-Site Recycle, Treatment, or Disposal.

Table 6.1 Summary of On-Site Recycle, Treatment, or Disposal				
<i>Description</i>	<i>Quantity</i>	<i>Destination</i>	<i>Purpose</i>	<i>RCRA Classification</i>
Rinse and Decon Water from AST's	12,000 gallons	Base Wastewater Treatment Plant	Treatment and Disposal	Nonhazardous
Triple Rinsed Drums and Containers	N/A	DRMO	Recycle/Disposal	Nonhazardous
AST Carcasses	5 X 250-gallon cap. each	DRMO	Recycle/Disposal	Nonhazardous

Material disposed off-site included both RCRA hazardous and nonhazardous solid waste. Included were petroleum contaminated soils, pesticide contaminated wastes, batteries, battery debris, grease cans, wire, hazardous liquids and solids of various types, and a mixture of kerosene, motor oil, diesel fuel and water. Table 6.2 presents an inventory of the materials sent for off-site recycle or disposal. All waste material that was shipped to off-site facilities was transported by licensed haulers. All trucks were weighed at the Camp Lejeune truck scales in Lot 203 to establish their tare, or empty, weight prior to being loaded.

After loading, the trucks were reweighed to establish their gross (or full) weight and to calculate the net (or payload) weight. The trucks were brushed to remove soils and debris from the tires and undercarriage, the manifests were signed by Camp Lejeune personnel, and the truck(s) were released for travel to the recycle or disposal facility indicated on the manifest. Copies of the Facility-Signed Waste Manifests are included in Appendix C. Copies of the Certificates of Disposal or Recycle are included in Appendix D.

In March 1994, over 330 tons of petroleum contaminated soil removed from the trenches was transported and recycled by American Soils Corporation in New Bern, North Carolina. Subsequent to these shipments, OHM discovered the presence of pesticides including DDT in some of the excavated 55-gallon drums based on disposal characterization analyses. Based on these findings, an amendment to the SAP was implemented to perform additional sampling and analysis of excavated soils to include pesticides and PCBs. At that time, an additional estimated 400 cubic yards of petroleum contaminated soil was stockpiled in Lot 203 awaiting off-site disposal. These analyses revealed total concentrations of pesticides exceeding the permit limits of American Soils Corporation. OHM in consultation with LANTDIV determined that although this soil was not RCRA hazardous (by characteristic), these soils (400 cy) should not be disposed at the American Soils facility. The soils remained covered and stored on-site. It was later determined that these soils would be treated on-site in the biocell to be constructed in Lot 203 in 1995. The biocell would be designed and permitted to specifically treat petroleum contaminated soils.

Table 6.2 - Summary of Off-Site Waste Recycle or Disposal					
Date	Description	Total Quantity	Destination	Manifest Number	RCRA Classification
2/16/94	Mixture of Kerosene, Motor Oil, Diesel Fuel, and Water	740 gallons	Nobel Oil, Sanford, SC	24056	Nonhazardous
3/24/94	Petroleum Contaminated Soil from Lot 203	332.10 tons in 18 loads	American Soils Corporation, New Bern, NC	001 to 018	Nonhazardous
12/20/94	Battery Debris	109.48 tons	Piedmont Landfill, Kernersville, NC	31542, 31502-31505, 33132	Nonhazardous
12/20/94	Grease Cans in Cubic Yard Boxes	20 cubic yard boxes, 9.25 tons	Laidlaw Landfill, Pinewood, SC	99901	Nonhazardous
1/9/95	Grease Cans in Cubic Yard Boxes	15 cubic yard boxes, 8.66 tons	Laidlaw Landfill, Pinewood SC	9902	Nonhazardous
1/9/95	Grease in Drums	2 drums, 1.16 tons	Laidlaw Landfill, Pinewood, SC	99902	Nonhazardous
2/28/95	Calcium Hypochlorite with Chloroform, and/or DDT	8 drums, 0.97 tons	CWM Resource Management Inc., Morrow, GA	I1021	Hazardous Waste
2/28/95	Hazardous Waste Liquid with Lead and/or DDT	8 drums, 0.375 tons	CWM Resource Management Inc., Morrow, GA	I1021	Hazardous Waste
2/28/95	Hazardous Waste Solid with DDT and/or Lead	32 drums, 4.97 tons	CWM Resource Management Inc., Morrow, GA	I1021	Hazardous Waste
2/28/95	Waste Corrosive Solid	2 drums, 0.15 tons	CWM Resource Management Inc., Morrow, GA	I1021	Hazardous Waste
2/28/95	Waste Oils and Greases	3 drums, 0.0805 tons	CWM Resource Management Inc., Morrow, GA	I1021	Nonhazardous
2/28/95	Waste 16-6-B06-DOT	12 drums, 1.135 tons	CWM Resource Management Inc., Morrow, GA	I1021	Nonhazardous
3/2/95	Wire and Battery Debris	73.88 tons in 4 loads	Piedmont Landfill, Kernersville, NC	93-D-3032-0015-0026, -0027, -0028, -0029	Nonhazardous
3/3/95	Wire and Battery Debris	81.04 tons in 4 loads	Piedmont Landfill, Kernersville, NC	93-D-3032-0015--0030, -0031, -0032, -0033	Nonhazardous

6.3 DECOMMISSIONING AND DEMOBILIZATION

Upon completion of the field activities, disturbed areas were backfilled with soil from the Base borrow pit as necessary, graded, and seeded to restore them to pre-excavation conditions. The northern excavation was regraded using adjacent soils since further remediation work was planned in this area under a separate Delivery Order. Following transportation and disposal of waste materials, the 12,000-gallon pools, drum staging area and other lined areas were decommissioned and decontaminated. Berm materials, including the synthetic liners were managed off-site as non-hazardous solid waste. Support facilities including the command trailer and decontamination trailer remained on-site to be available for other active Delivery Orders.

As discussed in Section 6.2, approximately 400 cubic yards of soil was left on-site in a covered and contained cell in Lot 203. This petroleum-contaminated soil was subsequently placed into and managed in the newly constructed biocell in 1996, which is adjacent to the groundwater treatment plant at Site 82. A draft report detailing the construction operation and maintenance of this biocell under Delivery Order 15 of RAC Contract N62470-93-D-3032 was issued in November 1996.

7.0 FIELD CHANGES AND CONTRACT MODIFICATIONS

7.1 FIELD CHANGES

Several field changes were instituted during the site work:

- Rather than transporting the excavated drums, soil and material directly to the main staging area, initial staging took place on bermed and lined area adjacent to the excavations. Initial field characterization was performed using a photoionization detector (PID). Small containers (less than 5 gallons) were overpacked before transportation to the main staging area.
- Rather than determine the limits of excavation based on visual staining of the soil, PID readings were taken. If the PID registered more than 5 parts per million (ppm), an additional 2 feet of soil was excavated laterally. If the PID registered less than 5 ppm, headspace analysis was performed. If the PID reading from the headspace analysis was greater than 5 ppm, an additional 2 feet of soil was excavated laterally. If the reading from the headspace analysis was less than 5 ppm, then a confirmation sample was collected and sent to the off-site laboratory for analysis.
- As directed by Base personnel, the nonhazardous debris associated with the trenches was replaced back into the excavations during the backfill operations which began in March, 1994. The original SOW included off-site disposal for these materials.
- The Sampling and Analytical Plan was amended to require NEESA Level C reporting requirements for confirmation samples only. All other samples were subject to NEESA Level E requirements.
- As redirected by Base personnel, the non-hazardous debris was re-excavated and routed to the Base landfill in April 1994.
- As referenced in project correspondence in July, 1994, it was discovered that a number of drums excavated from the northern and southern trenches contained elevated levels of DDT which was not previously identified in the RAC Specifications as a contaminant of concern. Additional sampling and analysis of stockpiled materials and excavated soils for these constituents was initiated. A modification to the Sampling and Analysis Plan (SAP) was implemented. Hazard

determinations were performed to identify the appropriate off-site disposal facility for these materials.

- Existing soils at the site were utilized rather than borrow area soils to construct the earthen berms surrounding the soil/waste staging area in Lot 203. Additionally, contaminated soils served as the base in lieu of gravel for protection of the containment cell.
- Trees of harvestable value as determined by the Base Forestry Division, which were cleared during site setup were placed alongside the nearest access road for pickup by the Forestry Division.
- Base personnel determined that the DRMO could accept empty (triple rinsed) 55-gallon drums as a cost savings for off-site disposal.
- Additional Quality Control sampling was requested, approved and amended in the SAP.
- The dimensions of the northern excavation exceeded that of the RAC specifications. The volume of material (soil and debris) requiring excavation exceeded the original estimate by over 300 percent.

7.2 CONTRACT MODIFICATIONS

One no-cost contract modification was submitted for this delivery order.

8.0 FINAL HEALTH AND SAFETY REPORT

8.1 MOBILIZATION AND SITE PREPARATION

The mobilization and site preparation for MCB Camp Lejeune included the following:

- Mobilization and electrical connection of the on-site command center.
- Placement of porta-johns in predesignated locations in accordance with OSHA regulations.
- Placement of the following signs in the appropriate locations in accordance with OSHA regulations:
 - An Employee Right-To-Know poster and station.
 - Material Safety Data Sheets (MSDSs) for all known and suspected on-site chemicals.
 - Hospital route and map posted in the command center and a copy placed in the glove compartments of all site vehicles.
 - A Site-specific evacuation plan posted in the command center.
 - Exit signs posted in the command center.

Prior to the start of on-site operations, all on-site OHM personnel read, understood and signed the OHM Site-Specific Health and Safety Plan (HASP).

8.2 ON-SITE OPERATIONS

The remediation of drums, ASTs, miscellaneous debris and soil at these sites included:

- Site setup and mobilization
- Clearing and grubbing
- Excavation and staging of drums, ASTs, miscellaneous debris and soil
- Characterization, segregation and bulking of materials
- Loading, transportation and disposal (on and off site) of materials
- Confirmation sampling and backfill of excavations.

Prior to excavation, all utility companies were notified to locate their lines, if any, in the area. Water was made readily available on-site for dust control measures.

The excavation and staging task required Level C or Level B Personal Protective Equipment (PPE) as appropriate. Both levels of PPE included: Tyvek suits and hood, hard hat, safety glasses, steel-toed safety shoes, vinyl booties and an MSA full-face air purifying respirator. For Level C, the respirator was fitted with MSA GMC-H type cartridges. For Level B, the respirator was connected to a source of breathing air. Health and safety issues stressed during the excavation task included good housekeeping, a communication system for site personnel, and shoring and trenching requirements.

Characterization sampling and sampling of soils from the excavations for confirmation analysis required Level C PPE. Safety issues stressed during work activities included good housekeeping, communication with equipment operators and alertness in the proximity of heavy equipment.

The remaining tasks were performed in Modified Level D PPE, which included: hard hat, safety glasses, steel toed boots and cotton gloves. Safety issues stressed during work activities included good housekeeping and communications.

8.3 AIR MONITORING

Air monitoring of the breathing zone for volatile organic compounds (VOCs) and dust was performed during the excavation and loading of the waste. A photoionization detector (PID) was used to identify the VOCs and a Mini-Ram was used to identify air borne particulates. As outlined in the HASP, air monitoring readings and calibration data for the instruments were recorded and documented. The results indicated that no concentrations of dust or VOCs above background levels were identified in the workers' breathing zone during the excavation and loading or the sampling activities. No upgrades of protection were necessary during the course of the project.

8.4 TRAINING REQUIREMENTS

OHM employees, subcontractors and visitors allowed access to work areas were required to have completed the 40-hour health and safety training course for Hazardous Waste Site Operations in accordance with 29 CFR 1910.120 and had to read, understand and sign the HASP.

8.5 ACCIDENTS AND/OR INJURIES

The project was completed without an OSHA Reportable Accident or Lost Time Injury.

9.0 SUMMARY OF RECORD DOCUMENTS

The principal record documents and their status are indicated in the Submittal Status Log, Table 9.1. The table indicates that all necessary documents have been submitted. Copies of some of these documents are provided in the appendices. They are: Waste Shipment Documents, Appendix C; Disposal Certification, Appendix D and Certification of Vehicle Decontamination at the Disposal Facility, Appendix E; QC Analytical Reports, Appendix F; Chains-of-Custody, Appendix G; and Analytical Data, Appendix I.

<i>Submittal Description</i>	<i>Target Delivery Date</i>	<i>Revised Delivery Date</i>	<i>Actual Delivery Date</i>
Draft H&S Plan	11/29/93		11/29/93
Final H&S Plan	01/17/94		01/18/94
Draft CQC Addenda	11/29/93		11/29/93
Final CQC Addenda	01/17/94		01/18/94
Draft Site Work Plan	11/29/93		11/29/93
Final Site Work Plan	01/17/94		01/18/94
Draft Sampling Plan	11/29/93		11/29/93
Final Sampling Plan	01/17/94		01/18/94
Testing Lab Quals.	11/29/93		11/29/93
Project Schedule	11/22/93		11/22/93
Permits	N/A		
Monthly Status Report	Monthly		Monthly
CQC Meeting Minutes	Weekly		Weekly
Daily Report	Daily		Daily
As Built Drawings	N/A		10/96
Sampling Results	As Available		As Available
Cert. Disposal Facility	As Available		As Available
Cert. Vehicle Decon at Site	As Available		As Available
Waste Shipment Doc.	3/31/94		3/31/94
Cert. Vehicle Decon at Disposal Facility	As Available		As Available
Closeout Report			10/96
Cert. Clean Material	N/A		N/A

Appendix A
As-built Drawings

MARINE CORPS BASE,
CAMP LEJEUNE

NORTH

M.C. AIR
STATION

MONTFORD
POINT

NEW
RIVER

HADNOT
POINT

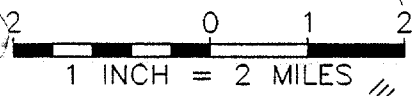
SITE 6
AND
SITE 82

MCB CAMP LEJEUNE

COURT-HOUSE
BAY

ATLANTIC
OCEAN

VICINITY MAP



D:\OHM\LANDDIV\EA\15226\FIG1A.DWG



**OHM Remediation
Services Corp.**
NORCROSS, GEORGIA
A SUBSIDIARY OF CH2M CORPORATION

FIGURE I

VICINITY AND LOCATION MAP

DRAWN BY		J. COLLINS	6/01/95
CHECKED BY		T. McCORRY	6/01/95
APPROVED BY		G. GILLES	6/01/95
REV. 0	SHEET # -	PROJECT NO. 15226	

MARINE CORPS BASE CAMP LEJEUNE
NORTH CAROLINA

SITE 82

SITE 6
(NORTHERN BOUNDARY)
SITE 82
(SOUTHERN BOUNDARY)

LOT 203

SITE 6

SOILS STAGING AREA
DRUM STAGING AREA
DECON AREA

EAST EXCAVATION
WEST EXCAVATION
WEST BATTERY TRENCH
EAST BATTERY TRENCH

PINEY GREEN ROAD

NORTHERN EXCAVATION
TEMPORARY STOCKPILE

NORTH



NOTES:

1. NORTHERN TRENCHES IS COMBINATION OF BAKER PHASE II TEST PITS 6-TP5 AND 6-TP7 IN SITE 82
2. SOUTHERN TRENCHES REPRESENT BAKER PHASE I TEST PITS D AND E IN SITE 6
3. BATTERY TRENCHES REPRESENT BAKER PHASE I TEST PITS A AND B IN SITE 6

SOURCE: LANTDIV, FEBRUARY 1992 AND BAKER ENGR



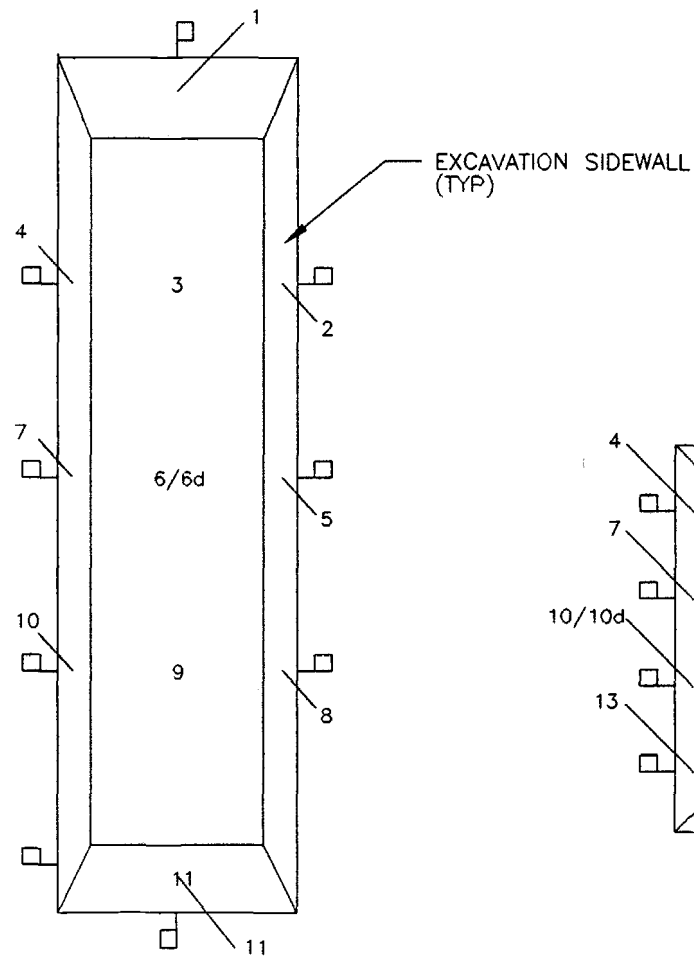
OHM Remediation Services Corp.
MORCROSS, GEORGIA
A SUBSIDIARY OF OHM CORPORATION

DRAWN BY	J. LANGE	9/17/96
CHECKED BY	T. McCORRY	9/17/96
APPROVED BY	G. GILLES	9/17/96
REV. 0	SHEET # -	PROJECT NO. 15226

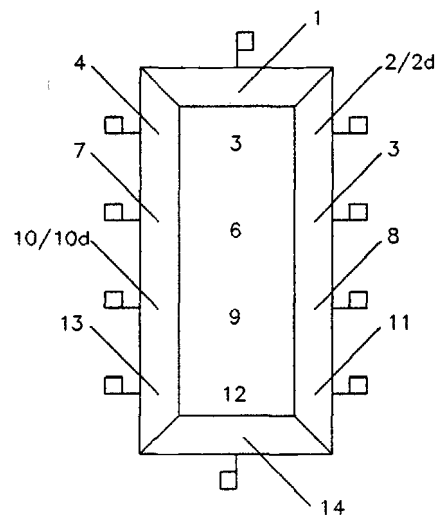
FIGURE 2
SITE MAP
LOCATION OF
SITES 6 AND 82 TRENCHES

MARINE CORPS BASE CAMP LEJEUNE
NORTH CAROLINA

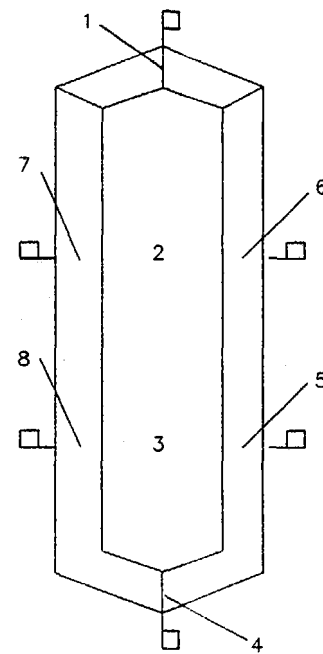
D:\OHM\LANTDIV\15226\ASBUILT\FIG2.DWG



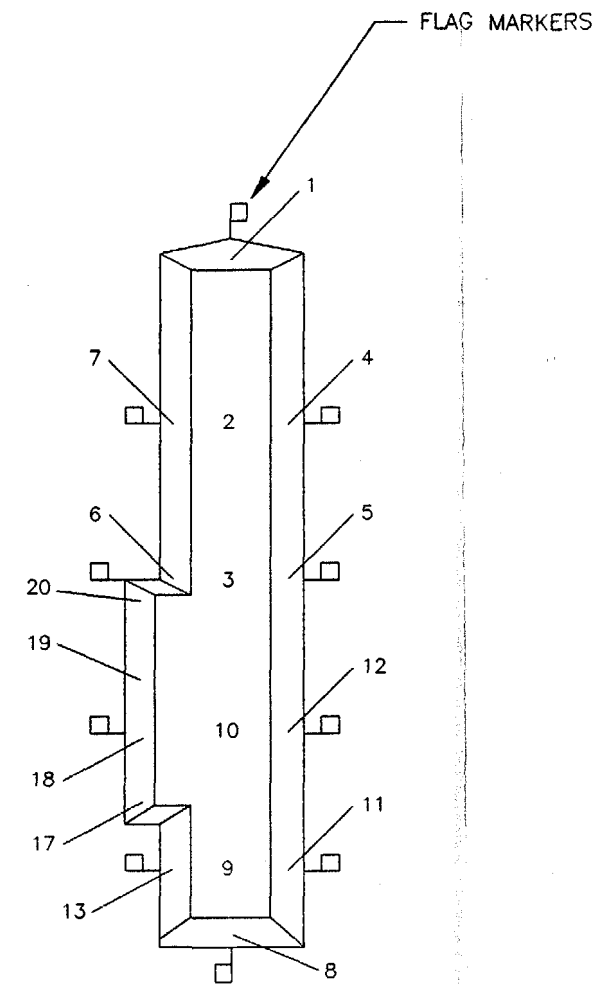
WEST BATTERY TRENCH
(SITE 6)



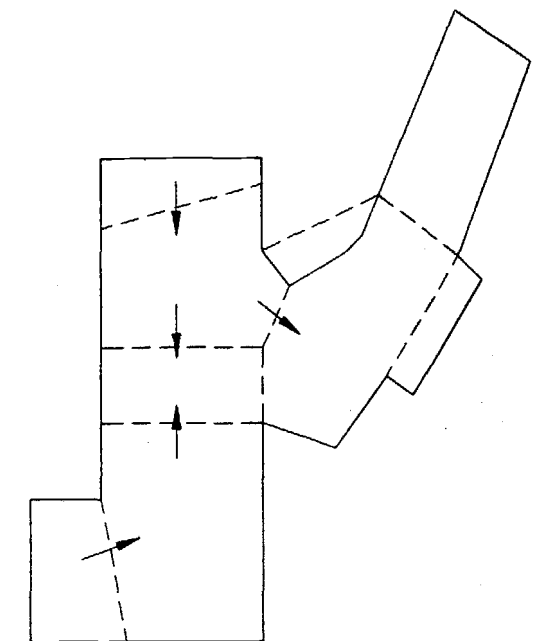
EAST BATTERY TRENCH
(SITE 6)



WEST EXCAVATION
(SITE 6)



EAST EXCAVATION
(SITE 6)



NORTHERN EXCAVATION
(SITE 82)

NOT TO SCALE

NOTES:

1. FIGURES REPRESENT APPROXIMATE EXCAVATION GEOMETRY AND SAMPLE LOCATIONS
2. LATERAL DISTANCE BETWEEN SAMPLING POINTS IS APPROX. 25'.
3. CONFIRMATION SAMPLES NOT TAKEN IN THE NORTHERN AREA TRENCH. EXCAVATION IS APPROX. 100 BY 70 FEET. TOTAL VOLUME ESTIMATED AT 1,300 CUBIC YARDS.

D:\OHM\LANITON\REV 15226\FIG3.DWG


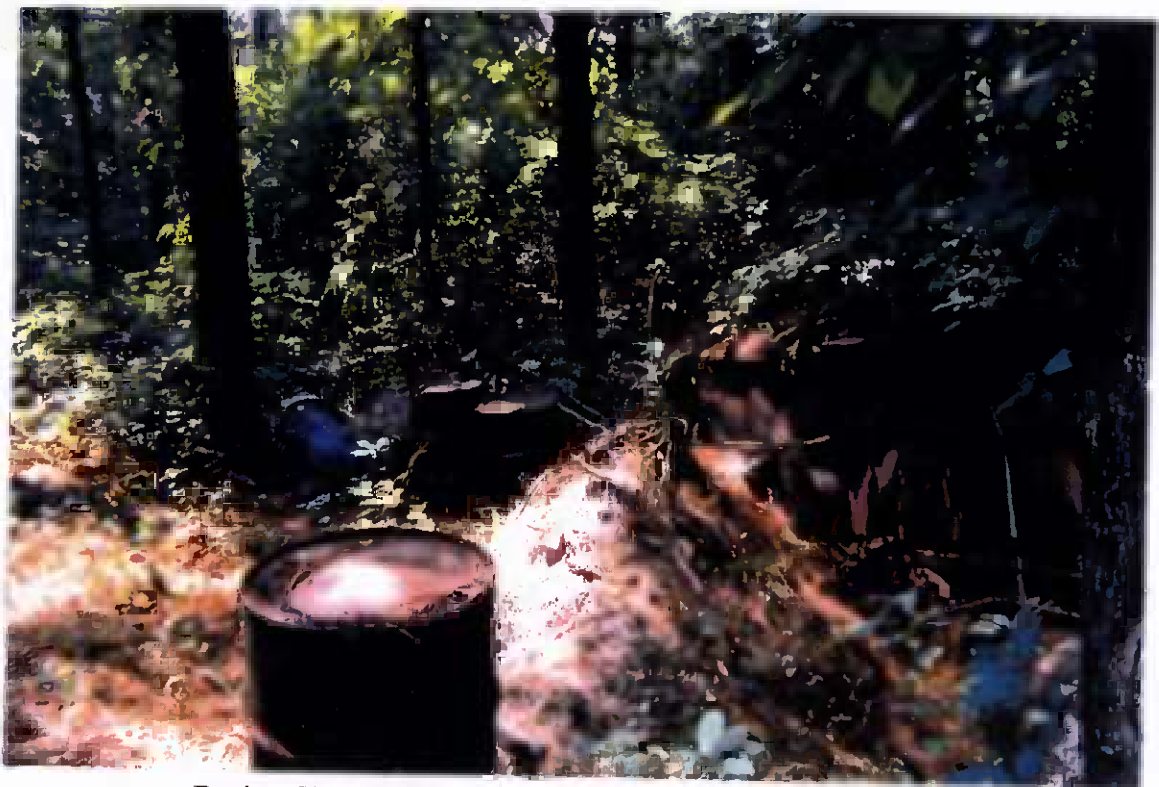
 OHM Remediation Services Corp. <small>NORCROSS, GEORGIA A SUBSIDIARY OF OHM CORPORATION</small>		
DRAWN BY	J. LANGE	9/17/96
CHECKED BY	T. McCORRY	9/25/96
APPROVED BY	G. GILLES	9/25/96
REV.	SHEET #	PROJECT NO.
0	-	15226

FIGURE 3
EXCAVATIONS AND CONFIRMATION SAMPLING POINTS
SITES 6 AND 82 TRENCHES
MARINE CORPS BASE, CAMP LEJEUNE
NORTH CAROLINA

01523J012

Appendix B
Photographic Documentation



Project No. 15226

Contract No. N47408-92-D-3042

Delivery Order: 32

Location :

Description: surface drums, located in woods. require stage bulking, sampling & triple rinse of empty



Project No. 15226

Contract No. N47408-92-D-3042

Delivery Order: 32

Location :

Description: construct. of staging cells as per specs.
debris, drums & decontam. cell



Project No. 15226

Contract No. N47408-92-D-3042

Delivery Order: 32

Location :

Description: surface drums, located in woods. require stage bulking, sampling & triple rinse of empty



Project No. 15226

Contract No. N47408-92-D-3042

Delivery Order: 32

Location :

Description: construct. of staging cells as per specs.
debris, drums & decontam. cell



Project No. 15226

Contract No. N47408-92-D-3042

Delivery Order: 32

Location :

Description: construct. of staging cells as per specs.
debris drums & decontam cell



Project No. 15226

Contract No. N47408-92-D-3042

Delivery Order: 32

Location :

**Description: construction / erection of storage pool for
all wash / decon water**



Project No. 15226

Contract No. N47408-92-D-3042

Delivery Order: 32

Location :

Description: triple rinsing of empty drums



Project No. 15226

Contract No. N47408-92-D-3042

Delivery Order: 32

Location:

Description: "Air bucket" used to excavate buried debris while minimizing removal of associated fine grained soils



Project No. 15226

Contract No. N47408-92-D-3042

Delivery Order: 32

Location:

Description: Buried drums being excavated



Project No. 15226

Contract No. N47408-92-D-3042

Delivery Order: 32

Location:

Description: Shell casings excavated from one of the southern trenches.



Project No. 15226

Contract No. N47408-92-D-3042

Delivery Order: 32

Location : south trenches

Description: removal of debris & batteries from trenches



Project No. 15226

Contract No. N47408-92-D-3042

Delivery Order: 32

Location : south trenches

Description: removal of debris & batteries from trenches



Project No. 15226
Contract No. N47408-92-D-3042
Delivery Order: 32
Location : south trenches
Description: removal of debris & batteries from trenches



Project No. 15226
Contract No. N47408-92-D-3042
Delivery Order: 32
Location :
Description: sifting soils for batteries & small debris



Project No. 15226
Contract No. N47408-92-D-3042
Delivery Order: 32
Location : north trenches
Description: numerous containers (typical) excavated.
containers in background - placed in roll-offs



Project No. 15226
Contract No. N47408-92-D-3042
Delivery Order: 32
Location :
Description: confirmation sampling of trenches



Project No. 15226
Contract No. N47408-92-D-3042
Delivery Order: 32
Location : south trenches
Description: excavation of trenches



Project No. 15226
Contract No. N47408-92-D-3042
Delivery Order: 32
Location:
Description: West Battery trench at Site 6



Project No. 15226
Contract No. N47408-92-D-3042
Delivery Order: 32
Location:
Description: Drum and Overpack Staging area in Lot 203



Project No. 15226

Contract No. N47408-92-D-3042

Delivery Order: 32

Location:

Description: Lined, covered, and bermed soil staging area at Lot 203



Project No. 15226

Contract No. N47408-92-D-3042

Delivery Order: 32

Location:

Description: Completed 12,000 gallon pool for decon rinsate at Lot 203; provided temporary storage prior to transportation and disposal



Project No. 15226

Contract No. N47408-92-D-3042

Delivery Order: 32

Location:

Description: Soil in rolloffs prepared for transportation and disposal