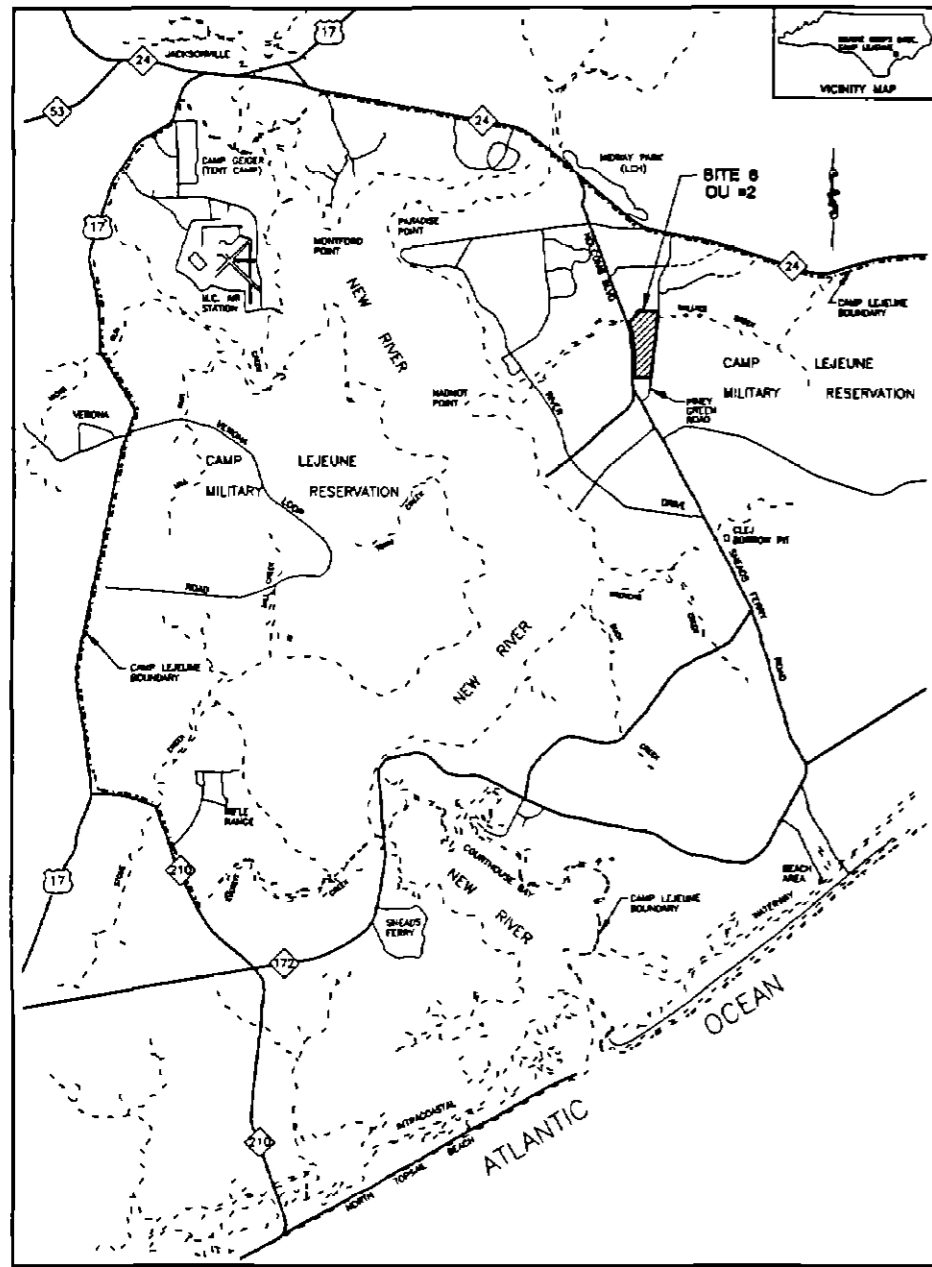
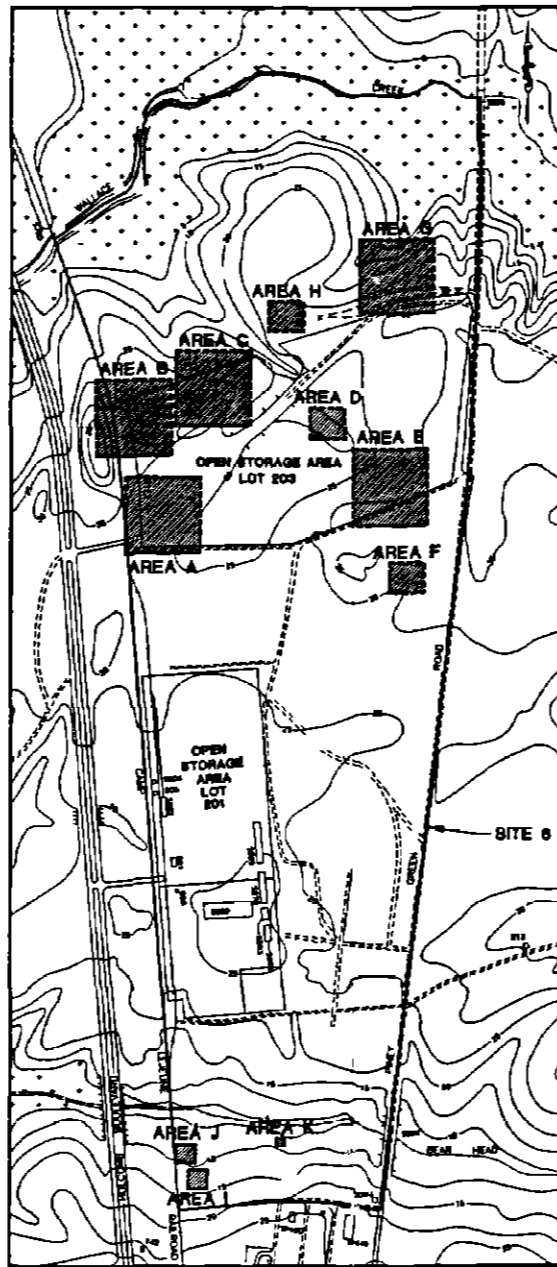


TIME CRITICAL REMOVAL ACTION SITE 6, OPERABLE UNIT NO. 2 MARINE CORPS BASE CAMP LEJEUNE, NORTH CAROLINA



VICINITY MAP
1 5 0 75 15
1 INCH = 15 MILES



LOCATION MAP
500 0 250 500
1 INCH = 500 FEET

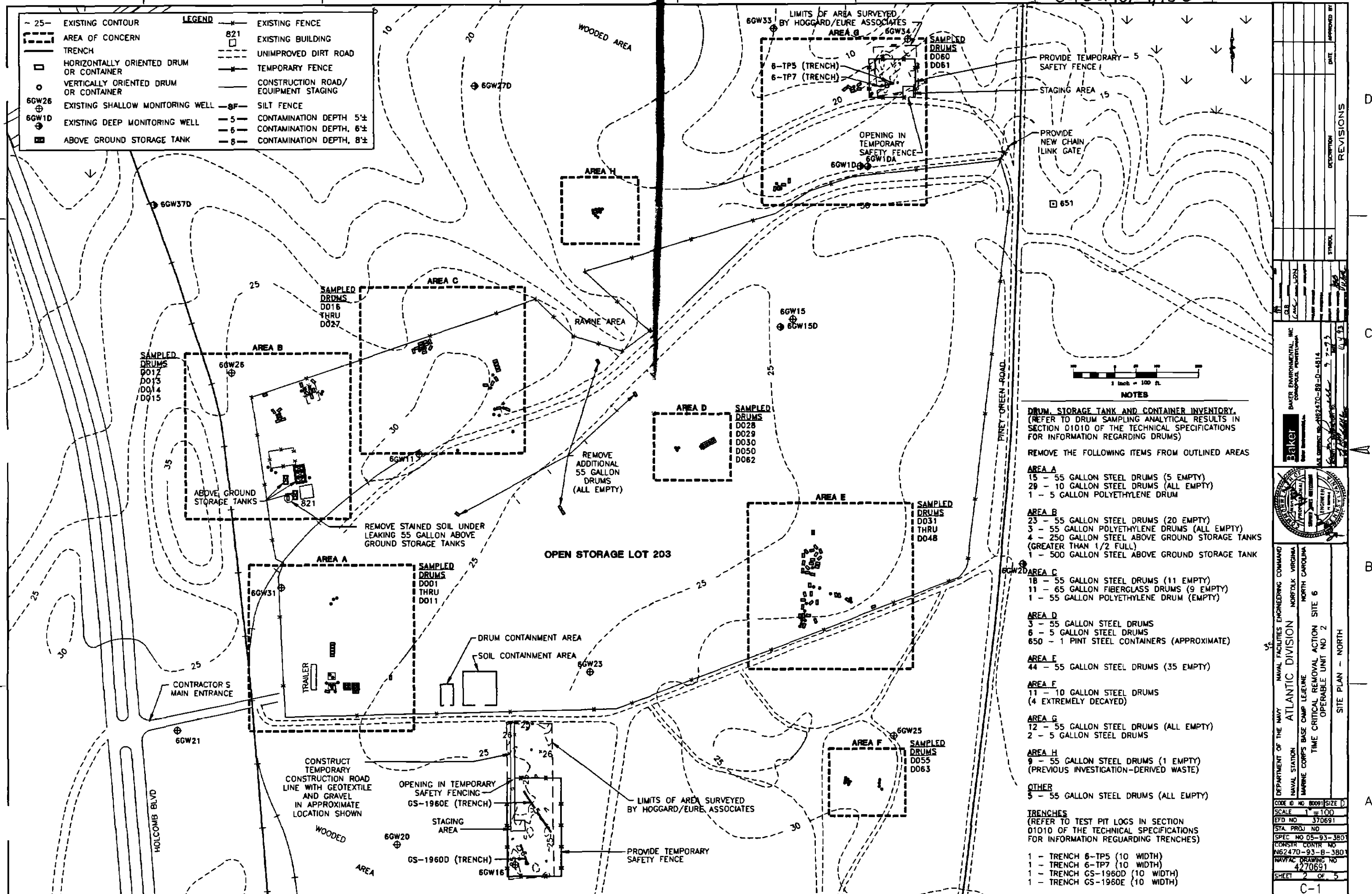
INDEX OF SHEETS

EFD DWG NO	NAVFAC DWG NO	SHEET NO	TITLE
370690	42760690	T-1	COVER SHEET AND GENERAL NOTES
370691	42760691	C-1	SITE PLAN - NORTH
370692	42760692	C-2	SITE PLAN - SOUTH
370693	42760693	C-3	EXCAVATION SITE PLAN
370694	42760694	C-4	DETAILS

- GENERAL NOTES**
- CONTOUR LINES SHOWN ARE BASED ON CORPS OF ENGINEERS DATUM
 - APPROXIMATE LIMITS AND DEPTHS OF DRUMS AND CONTAMINATED SOIL ARE AS INDICATED VERIFY EXTENT OF CONTAMINATION AND REMOVE CONTAMINATED SOIL AND DRUMS AS SPECIFIED
 - LOCATE UTILITIES AT THE JOB SITE REPAIR ALL DAMAGE TO UTILITIES AT NO EXPENSE TO THE GOVERNMENT
 - PLACE SILT FENCES AS NECESSARY TO PREVENT SEDIMENT LADEN RUNOFF WATER FROM LEAVING THE EXCAVATION SITES
 - FENCE WITH SAFETY FENCING THE EXCAVATION AREA AS SHOWN ON THESE DRAWINGS AND AS DETAILED IN THE SPECIFICATIONS
 - STORE ALL POTENTIALLY CONTAMINATED EXCAVATED SOIL ON 40 MIL POLYETHYLENE SHEETING AND COVER WITH 40 MIL POLYETHYLENE SHEETING TO PREVENT POSSIBLE CONTAMINATION OF UNDERLYING AND SURROUNDING SOILS
 - TEMPORARILY STORE ALL DRUMS IN A BERMED AND LINED STORAGE AREA
 - OPEN PITS SHALL NOT REMAIN OPEN FOR MORE THAN FIVE DAYS CLEARLY MARK THE OPEN PIT USING ORANGE BARRIER TAPE AND ORANGE SAFETY FENCING
 - RESTORE EACH SITE TO ITS ORIGINAL CONDITION UNLESS OTHERWISE NOTED IN ACCORDANCE WITH THE PROJECT SPECIFICATIONS
 - DRUM SAMPLING ANALYTICAL RESULTS AND TEST PIT LOGS ARE LOCATED IN SECTION 01010 OF THE TECHNICAL SPECIFICATIONS

 BAKER ENVIRONMENTAL INC. CONSULTING ENGINEERS 10140 E. HICKORY BLVD. WASHINGTON, DC 20037 PHONE: 703-462-1200 FAX: 703-462-1201 WWW: WWW.BAKERENVIRONMENTAL.COM	DATE: 10/04/93 APPROVED BY:
	REVISIONS:
<p align="center">COVER SHEET AND GENERAL NOTES</p>	
<p align="center">TIME CRITICAL REMOVAL ACTION SITE 6 OPERABLE UNIT NO. 2</p>	
<p> DEPARTMENT OF THE NAVY NAVAL FACILITIES ENGINEERING COMMAND NAVAL STATION ATLANTIC DIVISION NORFOLK VIRGINIA NORTH CAROLINA MARINE CORPS BASE CAMP LEJEUNE CODE ID NO 80091 SIZE D SCALE AS NOTED EFD NO 370690 STA. PROJ NO SPEC NO 05-93-3801 CONSTR CONTR NO N62470-93-B-3801 NAVFAC DRAWING NO 42760690 SHEET 1 OF 5 T-1 </p>	

LEGEND	
- 25 -	EXISTING CONTOUR
[---]	AREA OF CONCERN
[---]	TRENCH
[---]	HORIZONTALLY ORIENTED DRUM OR CONTAINER
[---]	VERTICALLY ORIENTED DRUM OR CONTAINER
⊕	EXISTING SHALLOW MONITORING WELL
⊕	EXISTING DEEP MONITORING WELL
[■]	ABOVE GROUND STORAGE TANK
[---]	EXISTING FENCE
[---]	EXISTING BUILDING
[---]	UNIMPROVED DIRT ROAD
[---]	TEMPORARY FENCE
[---]	CONSTRUCTION ROAD/EQUIPMENT STAGING
[---]	SILT FENCE
[---]	CONTAMINATION DEPTH 5'±
[---]	CONTAMINATION DEPTH 6'±
[---]	CONTAMINATION DEPTH 8'±



- DRUM STORAGE TANK AND CONTAINER INVENTORY.**
(REFER TO DRUM SAMPLING ANALYTICAL RESULTS IN SECTION 01010 OF THE TECHNICAL SPECIFICATIONS FOR INFORMATION REGARDING DRUMS)
- REMOVE THE FOLLOWING ITEMS FROM OUTLINED AREAS
- AREA A**
 - 15 - 55 GALLON STEEL DRUMS (5 EMPTY)
 - 20 - 10 GALLON STEEL DRUMS (ALL EMPTY)
 - 1 - 5 GALLON POLYETHYLENE DRUM
 - AREA B**
 - 23 - 55 GALLON STEEL DRUMS (20 EMPTY)
 - 3 - 55 GALLON POLYETHYLENE DRUMS (ALL EMPTY)
 - 4 - 250 GALLON STEEL ABOVE GROUND STORAGE TANKS (GREATER THAN 1/2 FULL)
 - 1 - 500 GALLON STEEL ABOVE GROUND STORAGE TANK
 - AREA C**
 - 18 - 55 GALLON STEEL DRUMS (11 EMPTY)
 - 11 - 65 GALLON FIBERGLASS DRUMS (9 EMPTY)
 - 1 - 55 GALLON POLYETHYLENE DRUM (EMPTY)
 - AREA D**
 - 3 - 55 GALLON STEEL DRUMS
 - 6 - 5 GALLON STEEL DRUMS
 - 650 - 1 PINT STEEL CONTAINERS (APPROXIMATE)
 - AREA E**
 - 44 - 55 GALLON STEEL DRUMS (35 EMPTY)
 - AREA F**
 - 11 - 10 GALLON STEEL DRUMS (4 EXTREMELY DECAYED)
 - AREA G**
 - 12 - 55 GALLON STEEL DRUMS (ALL EMPTY)
 - 2 - 5 GALLON STEEL DRUMS
 - AREA H**
 - 9 - 55 GALLON STEEL DRUMS (1 EMPTY) (PREVIOUS INVESTIGATION-DERIVED WASTE)
 - OTHER**
 - 5 - 55 GALLON STEEL DRUMS (ALL EMPTY)

- TRENCHES**
(REFER TO TEST PIT LOGS IN SECTION 01010 OF THE TECHNICAL SPECIFICATIONS FOR INFORMATION REGARDING TRENCHES)
- 1 - TRENCH 6-TP5 (10 WIDTH)
 - 1 - TRENCH 6-TP7 (10 WIDTH)
 - 1 - TRENCH GS-1960D (10 WIDTH)
 - 1 - TRENCH GS-1960E (10 WIDTH)

DATE	REVISIONS

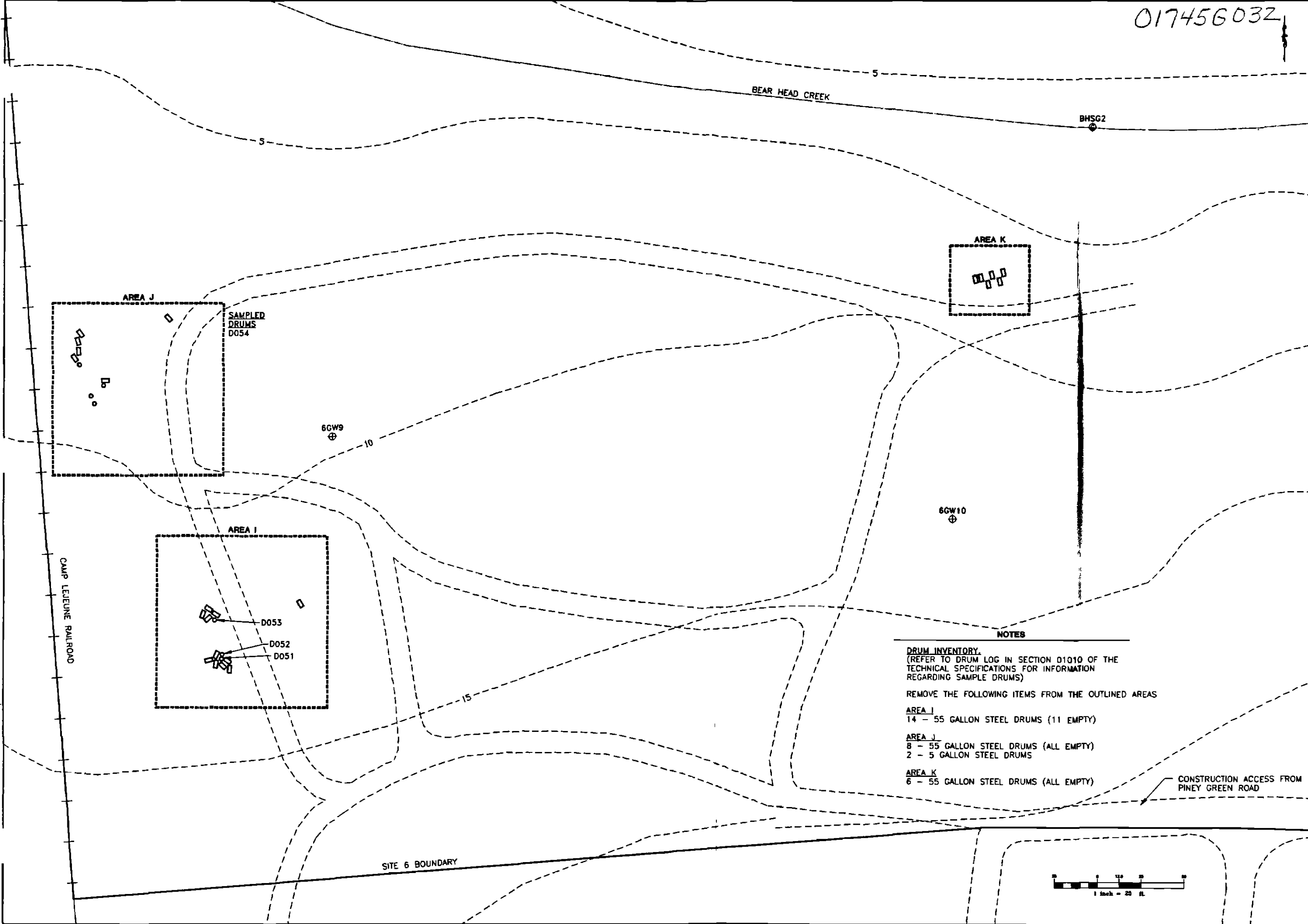
BAKER ENVIRONMENTAL, INC. 6000 W. WILSON ROAD SUITE 100 GREENSBORO, NC 27409-1000 TEL: 336-853-1111 FAX: 336-853-1112	APPROVED BY: [Signature] DATE: 02/04/93
--	--

DEPARTMENT OF THE NAVY NAVAL FACILITIES ENGINEERING COMMAND ATLANTIC DIVISION NAVAL STATION MARINE CORPS BASE CAMP LEJEUNE	NORFOLK VIRGINIA NORTH CAROLINA SITE 6 TIME CRITICAL REMOVAL ACTION UNIT NO 2 OPERABLE UNIT NO 2 SITE PLAN - NORTH
--	---

CODE ID NO: 80091 (SIZE D) SCALE: 1" = 100' EFD NO: 370691 STA. PROJ. NO: SPEC. NO 05-93-3803 CONSTR. CONTR. NO: N62470-93-B-3801 NAVFAC DRAWING NO: 4270691 SHEET 2 OF 5	C-1
--	-----

02.02-10/04/93-d

01745603Z



NOTES

DRUM INVENTORY.
 (REFER TO DRUM LOG IN SECTION 01010 OF THE TECHNICAL SPECIFICATIONS FOR INFORMATION REGARDING SAMPLE DRUMS)

REMOVE THE FOLLOWING ITEMS FROM THE OUTLINED AREAS

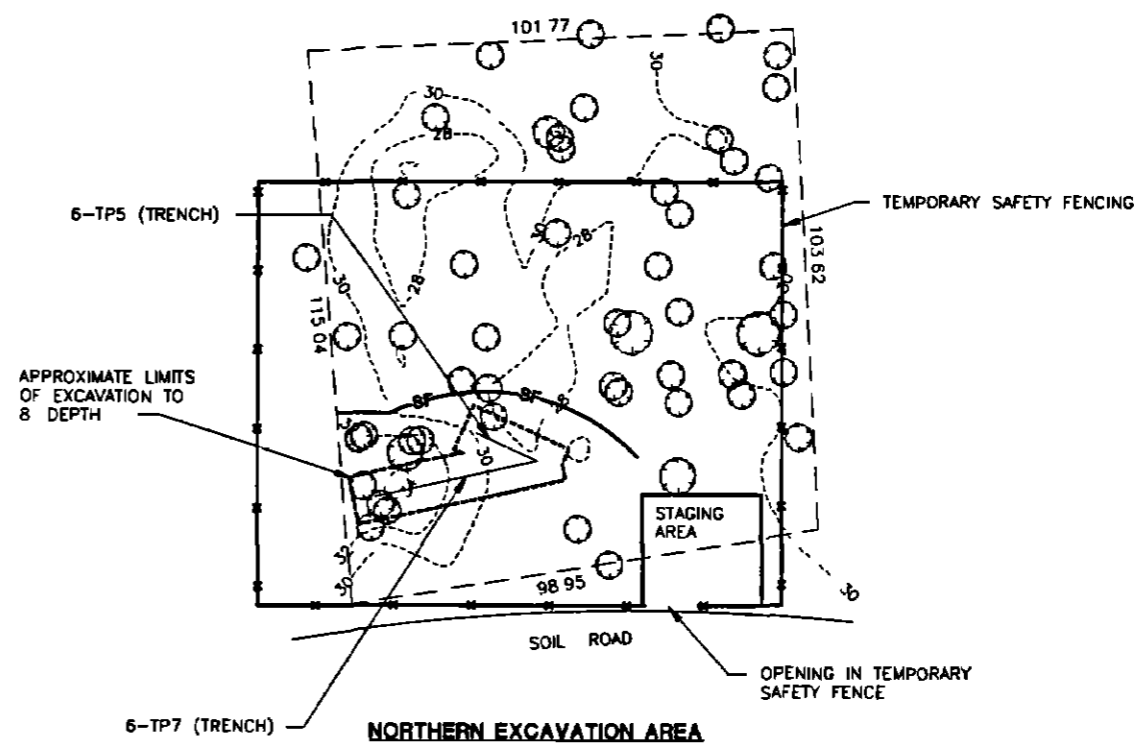
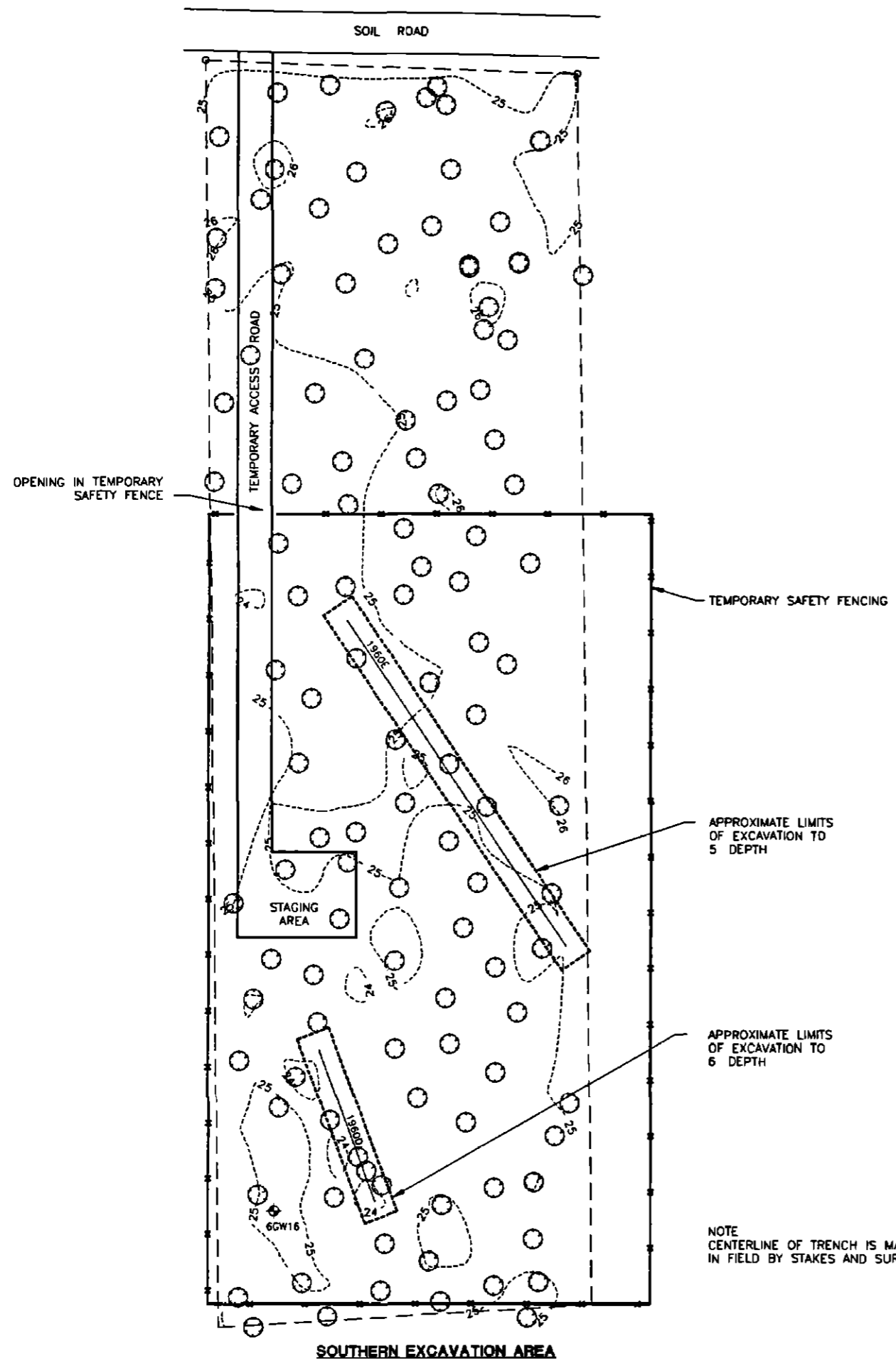
AREA J
 14 - 55 GALLON STEEL DRUMS (11 EMPTY)

AREA I
 8 - 55 GALLON STEEL DRUMS (ALL EMPTY)
 2 - 5 GALLON STEEL DRUMS

AREA K
 6 - 55 GALLON STEEL DRUMS (ALL EMPTY)

DEPARTMENT OF THE NAVY NAVAL FACILITIES ENGINEERING COMMAND NAVAL STATION ATLANTIC DIVISION NORFOLK VIRGINIA MARINE CORPS BASE CAMP LEJEUNE NORTH CAROLINA TIME CRITICAL REMOVAL ACTION SITE 6 OPERABLE UNIT NO 2 SITE PLAN - SOUTH		REVISIONS SYMBOL DATE APPROVED BY
CODE NO 80091 SIZE D SCALE 1" = 25' EFD NO 370692 STA PROJ NO SPEC NO 05-93-3801 CONSTR CONTR NO N62470-93-B-3801 NAVFAC DRAWING NO 4270692 SHEET 3 OF 5		BAKER BAKER ENVIRONMENTAL INC CONSULTING ENGINEERS 1052470-89-D-4814 DATE 7 7 93 DRAWN BY CHECKED BY APPROVED BY

02.02-10/04/93-0
017456042

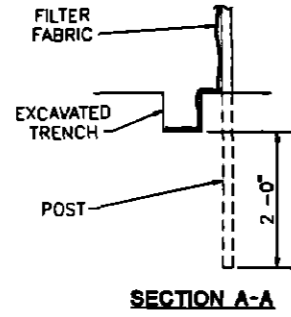


20 0 10 20
1 INCH = 20 FEET

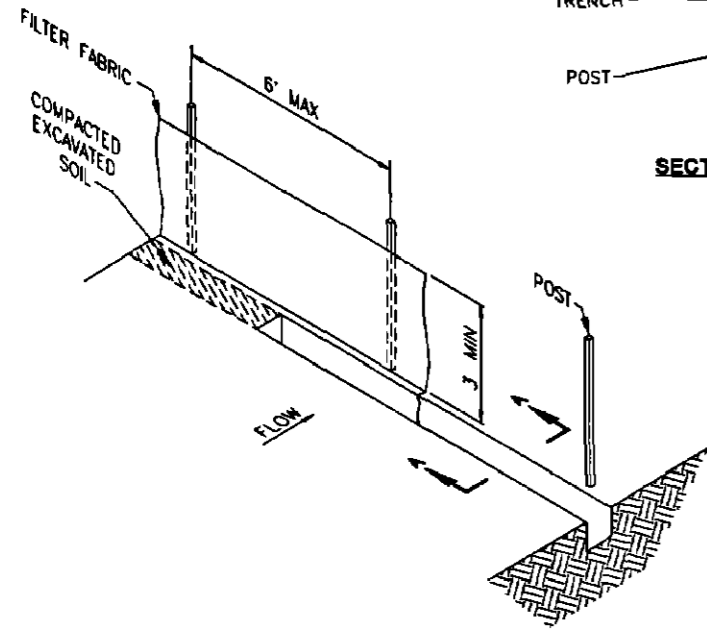
DEPARTMENT OF THE NAVY NAVAL STATION MARINE CORPS BASE CAMP LEJEUNE		NAVAL FACILITIES ENGINEERING COMMAND ATLANTIC DIVISION TIME CRITICAL REMOVAL ACTION SITE 6 OPERABLE UNIT NO 2		EXCAVATION SITE PLAN	
CODE # 80091 SCALE 1" = 20' EFD NO 370693		STA PROJ NO SPEC NO 05-93-3801 CONSTR CONTR NO N62470-93-B-3801 NAVFAC DRAWING NO 4270693		SHEET 4 OF 5	
BAKER ENVIRONMENTAL, INC. CONCEPTUAL ENVIRONMENTAL 10700 W. 10TH AVENUE DENVER, CO 80202 PHONE: 303-751-1000 FAX: 303-751-1001 PROJECT NO: N62470-93-D-8814 DRAWING NO: 2-2-F-3 DATE: 10/93		APPROVED BY: [Signature] DATE: [Blank]		REVISIONS	

D
C
B
A

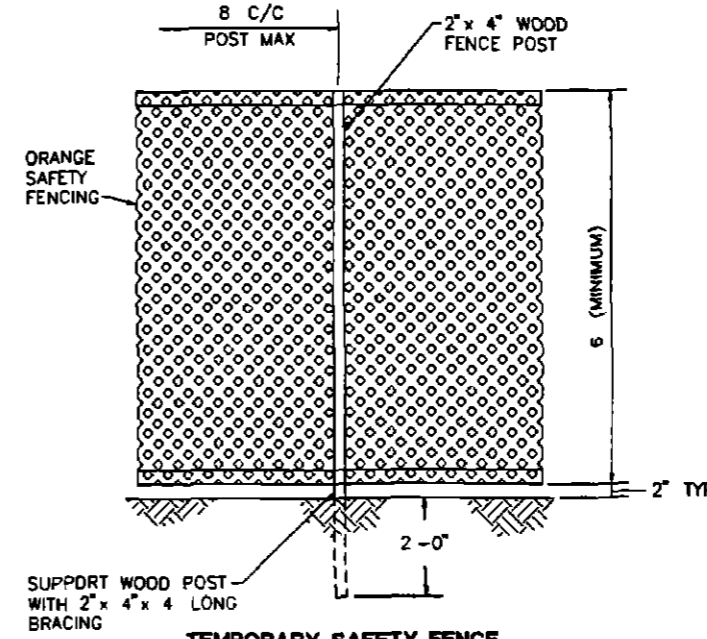
8 7 6 5 4 3 2 1



- 1 SET POSTS AND EXCAVATE A 4"x4" TRENCH UPSLOPE ALONG THE LINE OF POSTS
- 2 ATTACH FILTER FABRIC TO POSTS AND EXTEND IT INTO THE TRENCH
- 3 BACKFILL AND COMPACT THE EXCAVATED SOIL



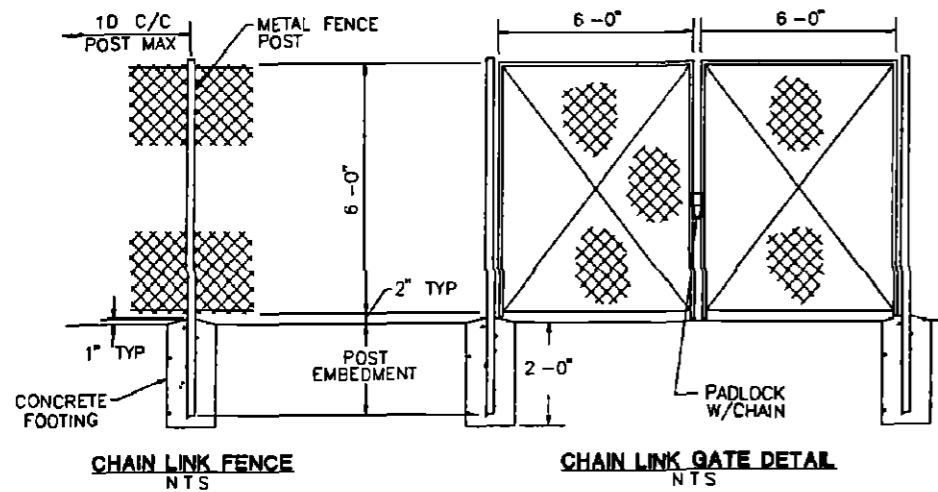
SILT FENCE
NTS



TEMPORARY SAFETY FENCE
NTS

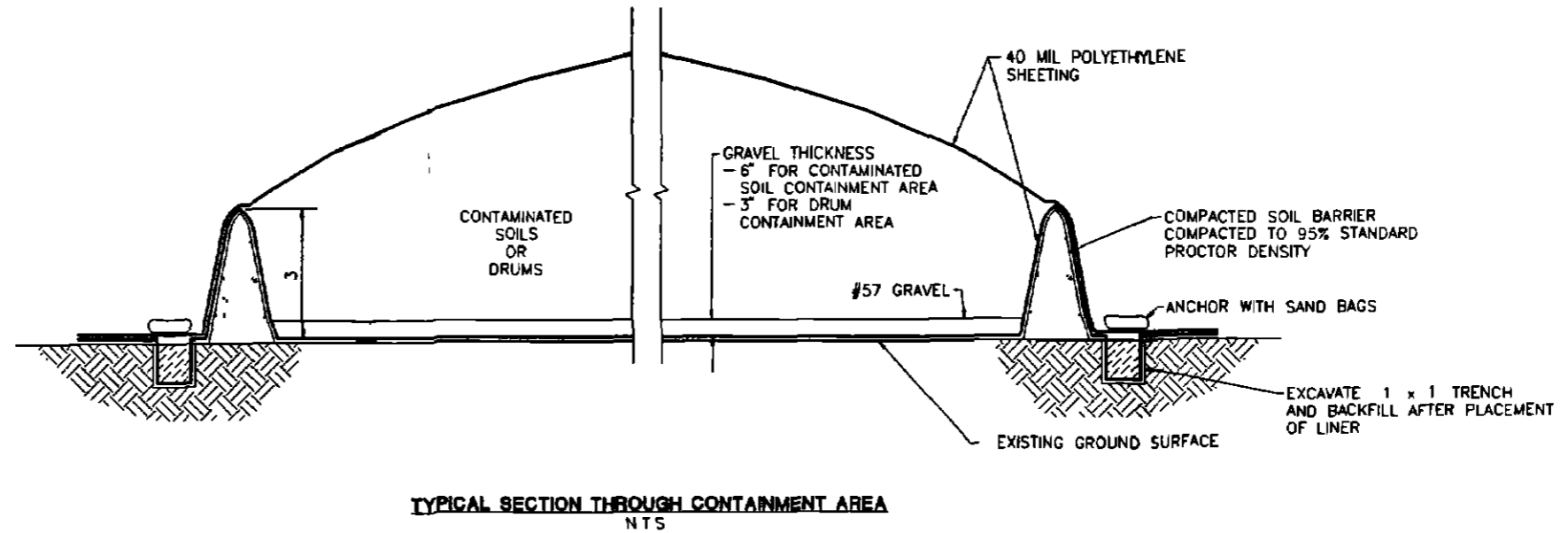


TEMPORARY ACCESS ROAD
NTS



CHAIN LINK FENCE
NTS

CHAIN LINK GATE DETAIL
NTS



TYPICAL SECTION THROUGH CONTAINMENT AREA
NTS

NO.	DATE	DESCRIPTION	BY	APPROVED BY
1				
2				
3				
4				
5				

Baker Environmental, Inc. CORPORATE REPRESENTATIVE	DATE: 10-04-93
Baker Environmental 1100 W. ...	SCALE: AS NOTED
ENGINEER	STA. PROJ. NO.
PROJECT NO. NS2470-93-D-4814	SPEC. NO. 05-93-380
CONSTR. CONTR. NO. NS2470-93-B-380	NAVAC DRAWING NO. 4270694
DEPARTMENT OF THE NAVY NAVAL FACILITIES ENGINEERING COMMAND ATLANTIC DIVISION MARINE CORPS BASE CAMP LEJEUNE TIME CRITICAL REMOVAL ACTION SITE 6 OPERABLE UNIT NO 2	NAVAC DRAWING NO. 4270694
NAVAL STATION NORFOLK VIRGINIA NORTH CAROLINA	SHEET 5 OF 5